

Office  
Building

Corporate  
Headquarters

Auto  
Dealership

Dining Hall



Architectural Woodwork Institute

# design solutions

Summer 2020 | \$6.25

آموزشگاه انعکاس منبع جدیدترین اطلاعات، مقالات و دوره‌های آموزشی دکوراسیون داخلی

 Enekas.Academy

 Enekas.Academy





# WE SILENCED THE “BEAN COUNTERS”



STARBUCKS RESERVE ROASTERY  
CHICAGO, ILLINOIS

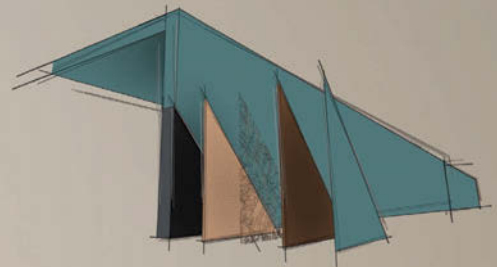


AND ALSO  
THIS BEAN  
COUNTER.

FABRICATION & INSTALLATION  
BY PARENTI & RAFFAELLI, IL

Within the world's largest Starbucks, a massive amount of noise is generated from machinery and 8,000 daily customers. That noise, combined with the store's concrete floors and open spaces, necessitated an exceptionally sound absorbent and—considering the amount of material required—cost effective acoustic solution.

SoundPly acoustic panels were the solution. With their unmatched decibel reduction per dollar, the world's most effective acoustic panels don't just control sound, they control costs.



*SoundPly panels' patented, precisely engineered construction is key to their unmatched customization of finishes, thickness and sizes.*

SOUNDPLY®

learn more about the world's  
quietest acoustic panels at  
[www.soundply.com](http://www.soundply.com)



آموزشگاه انعکاس منبع جدیدترین اطلاعات، مقالات و دوره‌های آموزشی دکوراسیون داخلی

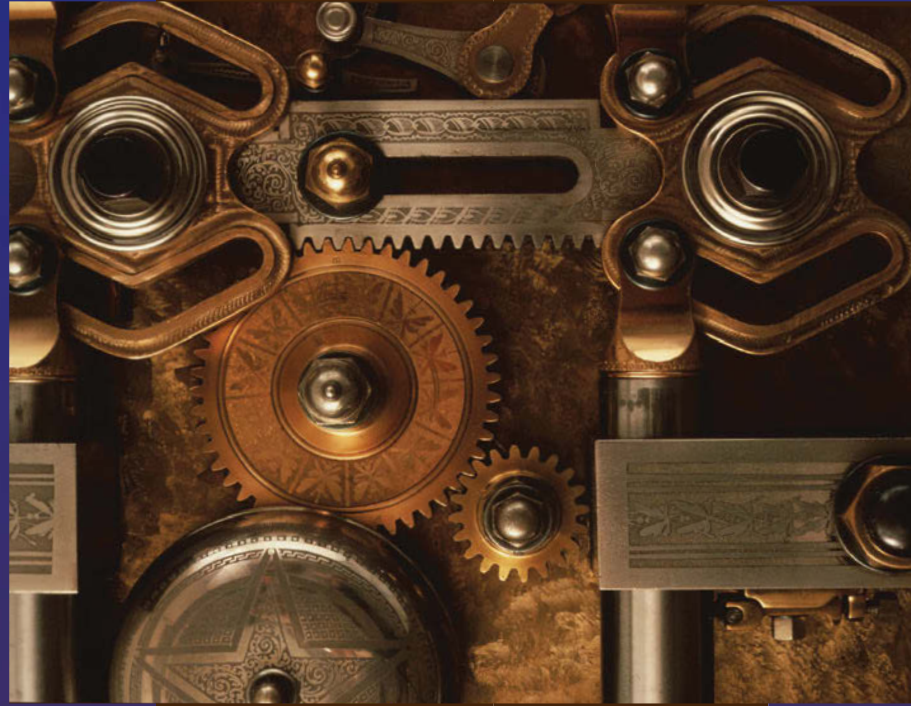
Enekas.Academy

Enekas.Academy



# SEAMLESS

## JOB MANAGEMENT + SHOP CONTROL



Takeoff  
Estimating  
Quotations  
Order Entry  
Scheduling  
Purchasing  
Receiving

Inventory  
Shipping  
Job Costing  
Project  
Management  
Billing  
Alerts

**TradeSoft** INC

Thrill clients by delivering high quality jobs on time and within budget.

Front to back—We've got you covered.™

[www.tradesoftinc.com](http://www.tradesoftinc.com) 800.289.6226

آموزشگاه انعکاس منبع جدیدترین اطلاعات، مقالات و دوره‌های آموزشی دکوراسیون داخلی

 Enekas.Academy

 Enekas.Academy





# 2020 Insight

## ERP software for project-based businesses

- Estimating (cost-based)
- Project Management
- Engineering
- Scheduling
- Shop Floor Execution
- Machine Integration
- Purchasing and Inventory
- Shipping, Installation and Billing

[2020spaces.com/2020insight/millwork](https://2020spaces.com/2020insight/millwork)

**WATCH 2020 INSIGHT WEBINAR**

TF: +1.888.216.1844 T: +1.919.319.0888 E: [2020insightsales@2020spaces.com](mailto:2020insightsales@2020spaces.com)

## ALUMINUM FOR ARCHITECTURAL MILLWORK

**Eagle Mouldings** is your single source for custom architectural aluminum trims and extrusions. Our primary goal is to deliver personalized reliable service, high-quality products, short lead times, all at a fair price.

**800-888-2044**

[eagle-aluminum.com](http://eagle-aluminum.com)



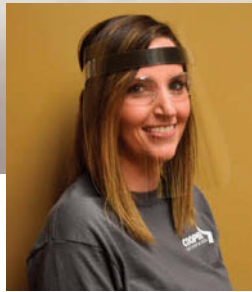
Architectural Millwork • Store Fixture and Displays • Slatwall • Z-Clips • Restaurants • Custom Extrusions

آموزشگاه انعکاس منبع جدیدترین اطلاعات، مقالات و دوره‌های آموزشی دکوراسیون داخلی

 [Enekas.Academy](http://Enekas.Academy)

 [Enekas.Academy](https://www.instagram.com/Enekas.Academy)





New products  
news **P54**

# Summerdesign solutions

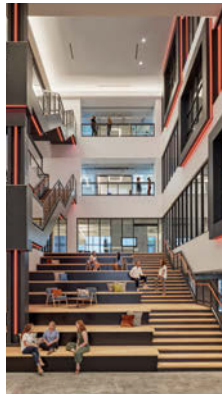
Journal of the  Architectural Woodwork Institute



## 16

### PLATINUM BUILDING.

LEED Platinum space adds distinctive amenity spaces and a strong sense of place.



## 24

### OFFICE NEIGHBORHOODS.

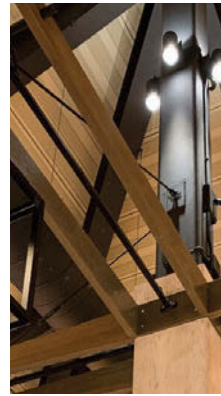
Themed floors set the stage for Boston company's creative workplace.



## 32

### DRIVING DESIGN.

Lincoln dealer brings luxury to facility with elegant Wenge wood.



## 40

### COMFORTABLE DINING.

Secondary school renovates and expands dining hall.

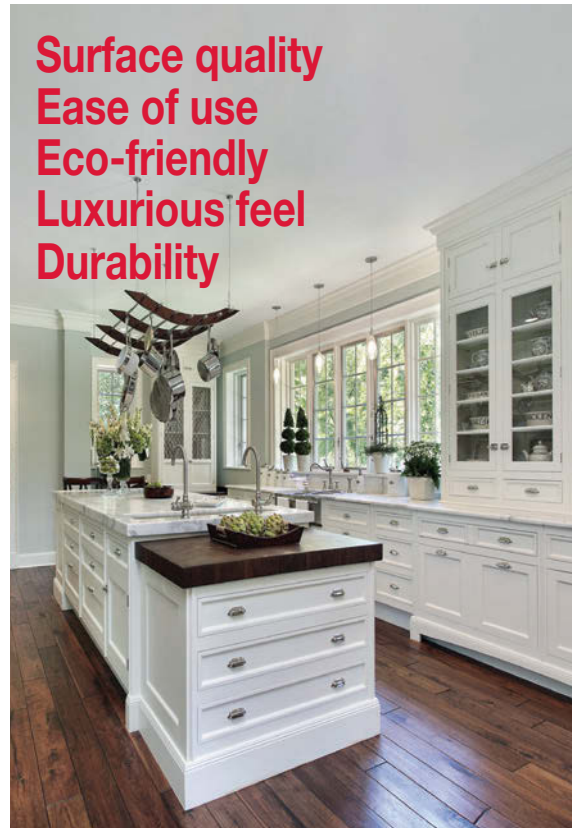


## 49

### CONCURRENT STAIRWAY DESIGN.

Concurrent stairway design mitigates integration issues, code violations, project delays, and cost overruns.





Surface quality  
Ease of use  
Eco-friendly  
Luxurious feel  
Durability

## Milesi 275 VOC Compliant Polyurethane Solutions

The latest innovation in air quality compliant wood coatings, available in white and clear versions

**ivm** Group  
Coatings & polymers technologies

www.milesi.com

**M**  
milesi  
wood coatings

# Departments

11  
53  
57  
69  
71

CORNERSTONE

PRODUCT SHOWCASE

AWI MANUFACTURING MEMBERS

AD INDEX

AWI SUPPLIER MEMBERS

AWI Officers:

**PRESIDENT**

Tyler Cerny  
Strata Design  
Traverse City, MI

**PRESIDENT-ELECT**

Sebastien DesMarais  
Hollywood Woodwork, Inc.  
Hollywood, FL.

**VICE PRESIDENT**

Mike Cotichio  
Siteline Interior Carpentry, Inc.  
Chicago, IL

**TREASURER**

Skip Heidler  
Heidler Hardwood Lumber Co.  
Chicago, IL

**IMMEDIATE PAST PRESIDENT**

Mike McNulty  
Cambio Plywood division of  
The Pearwood Group  
Cranston, RI

Magazine Staff:

Editor: Elaine M. Ferri

**ADVERTISING COORDINATOR**

Cheryl Stratos  
(703) 212-7737 adsales@awinet.org

**ART DIRECTOR**

Josiah Lewis

**PROJECT MANAGER**

Margaret Fisher

Copyright © 2020 by the  
Architectural Woodwork Institute  
46179 Westlake Dr., Suite 120  
Potomac Falls, VA 20165  
All rights reserved. Reproduction  
without permission is prohibited.

**Cover:** Washington D.C.'s 1101  
Sixteenth Street rejuvenates and  
links two adjacent 1970s buildings  
into one freestanding office building  
in downtown. Celebrating the area's  
rich history and minimizing overall  
real estate environmental impact  
were guiding principles for the  
repositioning of the building, blocks  
from The White House. See story,  
page 16.

**designsolutions**

(ISSN 0277-3538) is  
published quarterly by the  
Architectural Woodwork  
Institute, 46179 Westlake  
Drive, Suite 120, Sterling, VA  
20165. Periodicals postage  
paid at Potomac Falls, VA and  
additional mailing offices.  
Postmaster: send address  
changes to **designsolutions**,  
46179 Westlake Drive, Suite  
120, Potomac Falls, VA  
20165. Address subscription  
correspondence to Design  
Solutions. Subscription price:  
\$25/year.

Editorial and advertising  
inquiries should be addressed  
to:

**designsolutions**

46179 Westlake Drive, Suite  
120, Potomac Falls, VA 20165  
Phone (571) 323-3636,  
Fax (571) 323-3630.  
E-mail kallen@awinet.org.  
Web: awinet.org

Opinions expressed in articles  
are not necessarily those of  
the Architectural Woodwork  
Institute. Publication of  
advertising does not imply  
endorsement of products/  
services. All advertising copy is  
subject to the approval of the  
publisher; publisher reserves  
the right to reject advertising.  
Unsolicited editorial materials  
must be accompanied by  
sufficient return postage.  
Publisher reserves the right to  
reject editorial copy.

The magazine assumes no  
responsibility for loss of or  
damage to such material. Any  
material accepted is subject to  
such revision as is necessary  
in our sole discretion to meet  
the requirements of this  
publication. Material published  
in *Design Solutions* remains  
the property of the magazine.  
No material, nor parts thereof,  
may be reproduced or used  
out of context without prior  
approval of and proper credit to

آموزشگاه انعکاس منبع جدیدترین اطلاعات، مقالات و دوره‌های آموزشی دکوراسیون داخلی

Enekas.Academy

Enekas.Academy





## Make every project a stunning success

At Precision Veneer, we create strong, long-lasting relationships with our clients. As one of North America's leading manufacturers of wood veneer panels, we produce quality veneer for the most challenging commercial, hospitality, institutional and residential projects.

We take pride in the close connections we build, listening to your needs, exceeding your

expectations and saving you both time and money on the jobsite. We believe it is insightful understanding and collaboration that makes every project a stunning success.

For information on how we can enhance your next project, **call 877-768-5512** or visit **[precisionveneer.com](http://precisionveneer.com)**.



**PRECISION  
VENEER**

آموزشگاه انعکاس منبع جدیدترین اطلاعات، مقالات و دوره‌های آموزشی دکوراسیون داخلی

 Enekas.Academy

 Enekas.Academy



# With CCF you're never out of options!

We give you more options  
than anyone in the industry!

An economical alternative for price-sensitive projects



## Our Economy Line

- Pre-finished Baltic Birch Plywood
- Foil top edge
- Exposed unfinished dovetails
- Quick turnaround
- Great savings



4716 Rt. 66 Apollo, PA 15613 800.581.3683 phone: 724.727.2045 fax: 724.727.3015

[www.ccfdrawers.com](http://www.ccfdrawers.com)



## Chemcraft®

A Great Finish is Only the Beginning

AkzoNobel

## Our target was to set a new standard for Pre-Cat performance

Introducing Varisure® Select and Variset®  
Select. Chemical and moisture resistance  
taken to a whole new level.



Visit [chemcraft.com](http://chemcraft.com) for more information  
and to locate your nearest distributor

© 2019 AkzoNobel Chemcraft® is a registered trademark of Akzo Nobel Coatings Inc.

## Need to outsource casework fabrication?

Choose **Cooper Enterprises** as your  
manufacturing partner.

Education | Healthcare | Hospitality | Commercial



89 Curtis Drive | Shelby, OH  
(419) 347-5232  
[sales@cooperenterprises.com](mailto:sales@cooperenterprises.com)  
<https://cooperenterprises.com>

آموزشگاه انعکاس منبع جدیدترین اطلاعات، مقالات و دوره‌های آموزشی دکوراسیون داخلی

 [Enekas.Academy](http://Enekas.Academy)

 [Enekas.Academy](https://www.instagram.com/Enekas.Academy)







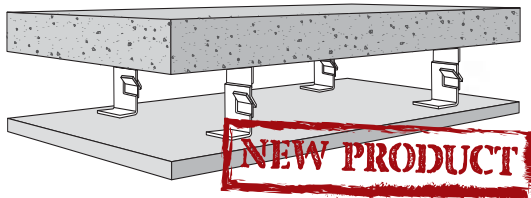
**MONARCH**  
METAL FABRICATION

## Don't Subcontract Your Wall Panels!

Large selection of stock profiles



## Monarch Ceiling Mounting Clips



Interconnecting clips for mounting ceiling panels restrict movement vertically and horizontally

CALL TO ORDER

**(631)750-3000**

WWW.MONARCHMETAL.COM



HARDWOOD PANEL PRODUCTS

Designers and manufacturers of cabinets, furniture, casework and store fixtures depend on States hardwood panels to create beautiful, durable and environmentally responsible products.



NAF/NAUF PANELS AVAILABLE



UV CURED PREFINISHED PANELS



LARGE CORE AND VENEER SELECTION



PANEL PROCESSING CAPABILITIES

WHAT ARE YOU CREATING TODAY?

800.626.1981  
StatesInd.com



## WE'RE A FULL SERVICE PLYWOOD COMPANY, AND OFFER:

- ▶ Short turnaround times
- ▶ In house veneer mill with custom capabilities
- ▶ Exceptional customer service
- ▶ Over 100 Species both Natural & Engineered
- ▶ Specialty sizes ranging up to 5'X 12'
- ▶ Thickness' ranging from 1/8" to 2"
- ▶ Intensive Quality Control Department
- ▶ Cross Grain Splicing and Sanding
- ▶ Wire Brushing and Texturing Capabilities
- ▶ Paperback Veneers
- ▶ Melamine and High Pressure Laminates
- ▶ Live Log online inventory for specific log selection

VISIT [BIRCHLANDPLYWOOD.COM](http://BIRCHLANDPLYWOOD.COM)  
AND VIEW OUR "LIVE LOG PROGRAM"



Birchland Plywood-Veneer Limited

Contact our team: [Sales@BirchlandPlywood.com](mailto:Sales@BirchlandPlywood.com)  
or call us at 1-800-461-2226

آموزشگاه انعکاس منبع جدیدترین اطلاعات، مقالات و دوره‌های آموزشی دکوراسیون داخلی

Enekas.Academy

Enekas.Academy



## Superior, Sustainable MDF

Roseburg offers the most diverse array of highly specified MDF brand names in North America with features including no-added formaldehyde, moisture-resistance and Class 1 (A) fire-rating. Many of our most popular interior products are covered by a UL-certified **EPD (Environmental Product Declaration)** demonstrating our commitment to minimizing cradle-to-gate impact.

- LEED® v4 credit support
- FSC® certified available



MAKING LIVES BETTER  
FROM THE GROUND UP.™

roseburg.com

HÄFELE

## PANEL ATTACHMENT MADE EASY



No matter the environment, scale or scope of the project, Button-fix from Häfele is an immensely versatile solution for attaching panels of all types to walls and other structures. Whether it's in a commercial or residential setting and your panels are decorative, acoustic, upholstered or something entirely different, Button-fix allows for simple and precise installation and removal at any time.

LET OUR EXPERTS HELP GET YOUR NEXT PROJECT STARTED!

Online & Livechat: [www.hafele.com/us](http://www.hafele.com/us)  
Phone: 800.325.6202  
Email: [experts@hafele.us](mailto:experts@hafele.us)

INTEREST. INNOVATE. INFORM.

## AWI SPEAKERS BUREAU IS THE VOICE OF THE WOODWORKING INDUSTRY.



The AWI Speakers Bureau offers a variety of informative **AIA/CES-approved programs** that will add vigor and interest to your next meeting or seminar. Presented by architectural woodworking experts, **topics are tailored for architects, designers, contractors or chapters.**

GO TO **AWISPEAKER.ORG**  
TO MATCH YOUR  
EDUCATIONAL NEEDS.



## STRENGTHEN YOUR COMPETITIVE EDGE

Prepare for the economic upswing with IMA's affordable **Novimat Compact L12 Edgebander**. Automation of essential functions simplifies operation. Edge materials up to 12 mm thick are reliably applied, providing the highest-quality edge processing at a lower price.



CLEARANCE PRICING  
ON IN-STOCK MACHINES  
FOR QUICK DELIVERY!



301 Kitty Hawk Drive, Morrisville, NC  
919.544.0430 | [www.imaschelling.us](http://www.imaschelling.us)

آموزشگاه انعکاس منبع جدیدترین اطلاعات، مقالات و دوره‌های آموزشی دکوراسیون داخلی

Enekas.Academy

Enekas.Academy



## PARTNER WITH DAIK FOR CORPORATE PROJECTS

### RELY ON DAIK FOR OVERSCALE AND CUSTOM FURNITURE

**PARTNER WITH DAIK** FOR TESTED FIRE RATED PROJECTS. HISTORIC? DIFFICULT? CALL US. WE **WORK DIRECTLY FOR YOU**, BEHIND THE SCENES TO YOUR SPECIFICATIONS AND WE **SHIP ANYWHERE** TO MEET YOUR DEADLINE. LET **DAIK QUOTE YOUR NEXT PROJECT.**



THIS CONFERENCE TABLE, CUSTOM CREDENZAS AND WALL PANELS WERE CREATED ON A TIGHT DEADLINE TO EXACTING SPECIFICATIONS. **PARTNER WITH DAIK.**



14981 32 MILE RD.

BRUCE TWP., MI 48065

[WWW.DAIKWOODWORKS.COM](http://WWW.DAIKWOODWORKS.COM)



**586 268 1144**



**M. Bohlke Corp.**

8375 N. Gilmore Rd.  
Fairfield, OH

+1-513-874-4400  
[mbvener.com](http://mbvener.com)  
[sales@mbvener.com](mailto:sales@mbvener.com)

Architectural Veneer & Lumber



Featured Millwork  
Brochsteins | [brochsteins.com](http://brochsteins.com)  
Custom Architectural  
Woodwork + Furniture since 1935

آموزشگاه انعکاس منبع جدیدترین اطلاعات، مقالات و دوره‌های آموزشی دکوراسیون داخلی

[Enekas.Academy](http://Enekas.Academy)

[Enekas.Academy](https://www.instagram.com/Enekas.Academy)



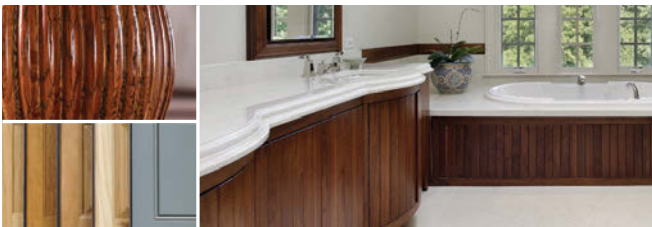
# MACHINES THAT GET THE JOB DONE...RIGHT.



**MACHINERY** | PARTS | SERVICE | TRAINING

616.698.7500 | [www.stilesmachinery.com](http://www.stilesmachinery.com)

**STILES | HC**  
A HOMAG COMPANY



## Obsessed with every detail.

PRODUCING BEAUTIFUL WOOD PRODUCTS IS YOUR PASSION.  
OURS IS IN THE DETAILS.

At Sherwin-Williams, we take the guesswork out of your finishing operation with customized solutions tailored to meet your specific needs and a relentless focus on developing industry-leading technologies that help you bring out the natural beauty in your wood products.



Partnering with you to meet and exceed your most challenging performance and application needs is what drives us.

Let us show you what's next

TO LEARN MORE, CONTACT OUR TEAM AT 877-705-2681  
OR VISIT [OEM.SHERWIN-WILLIAMS.COM](http://OEM.SHERWIN-WILLIAMS.COM)

## MOTIVATE. EDUCATE. ELEVATE.

### AWI SPEAKERS BUREAU IS THE PERFECT RESOURCE FOR YOUR NEXT SEMINAR.

The AWI Speakers Bureau offers a variety of informative **AIA/CES-approved programs** that will add vigor and interest to your next meeting or seminar. Presented by architectural woodworking experts, **topics are tailored for architects, designers, contractors or chapters.**



**GO TO [AWISPEAKER.ORG](http://AWISPEAKER.ORG)  
TO MATCH YOUR  
EDUCATIONAL NEEDS.**



آموزشگاه انعکاس منبع جدیدترین اطلاعات، مقالات و دوره‌های آموزشی دکوراسیون داخلی

 [Enekas.Academy](http://Enekas.Academy)

 [Enekas.Academy](http://Enekas.Academy)





VISION:

To be the global leader in architectural woodwork standards, related interior finishes, industry-specific education and networking opportunities.

# cornerstone

Inside Info For Design And Construction Professionals

A Message from  
New AWI Executive  
Vice President Doug Hague.

# Change.

**S**ix simple letters that combine to take on a very impactful meaning. The English language allows for it to be both a noun and a verb, but the meaning is constant, to make different. Some change is a voluntary pursuit and other times change is handed to us by another individual or situation.



آموزشگاه انعکاس منبع جدیدترین اطلاعات، مقالات و دوره‌های آموزشی دکوراسیون داخلی

 Enekas.Academy

 Enekas.Academy



Last year I elected for personal change. I applied for and pursued the role of AWI Executive Vice President. On January 1, 2020, **I began to live out the results of this pursuit of change.** Change was a huge driving force behind my decision. An opportunity to use my skillset to be a part of a team that can impact the wood industry. I must say in my first five months experience, it has been a true blessing to serve and to see firsthand how the association can be an element of change.

On March 11, 2020, President Trump addressed the nation to speak about the change that we all would experience from a **world pandemic.** This address and the days following forced change in how we would travel, interact with one another, educate our students, and live our lives. Though none of us were ultimately responsible for the cause, we are affected by the change.

On May 25, 2020, the **death of George Floyd** occurred. Since the tragedy, many have pursued one major item - change. Seeking change in our governmental systems, encouraging change in the way we see and love one another, and insisting change for all the generations that follow. Many protests, memorials and other acts are all seeking one element, change. To make a difference, the kind of difference that demands no other individual would lose their life in this situation and justice can be had by all.

On June 1, 2020, ANSI/AWI 0641 - **Architectural Wood Casework Standard became effective change for the wood industry.** The AWI leadership pursued this change in 2015 and now the team in 2020 executed a major component of their envisioned change. The new standard functions and reads differently than the previous standards. But it enables change to occur so that manufacturers can maximize their manufacturing efficiency.



The new standard allows for the design community to specify the exact need of their client so maximized value may be pursued by all.

These four examples are all unique and vastly different within their own context. But they are bound together by one entity, change. Those six simple letters combining to make an impactful meaning.

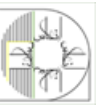
Change is not comfortable for all. It often comes with unknowns or uncertainty. If you are a leader, your followers (friends, family, coworkers, etc.) lean on you and need your stability during change. Change is not easy for all to digest, process, or embrace.

Please be mindful of this as you attempt or endure any change. Be that support piece and reach your entire group through the process.

Change is inevitable! Embrace it. Find ways to use your abilities to solicit change for the better. Regardless of the situation, you can be that instrument of change that can impact the lives of many. I trust you will all strive for impactful change, personal or something felt around the world. Take that first step! The steps that follow are much easier with the momentum of the first.

Find your impact and go be that positive change that is needed in your given situation. Let's all do our part and the world as we know it will be a better place. 🌍

**Doug Hague**  
AWI EXECUTIVE VICE PRESIDENT





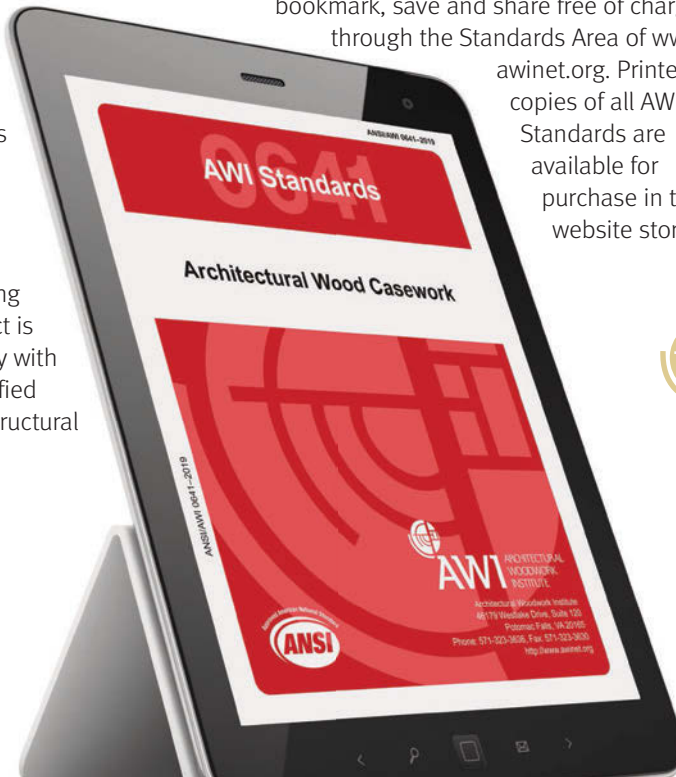
# NEW AWI STANDARDS NOW AVAILABLE.

The ANSI/AWI 0641-2019 — Architectural Wood Casework Standard took effect June 1, 2020, and succeeds, replaces, and supplants Section 10 of the *Architectural Woodwork Standards, Edition 2* (2014) as the most current version of the AWI Standards for architectural wood casework.

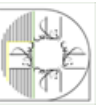
▶ **THE ANSI / AWI 0641-2019—ARCHITECTURAL WOOD CASEWORK STANDARD** encompasses a variety of architectural wood casework, including wood veneer-faced architectural cabinets, plastic-laminate-clad architectural cabinets, and cabinet and drawer hardware as specified under CSI MasterFormat Division 6. This standard establishes structural and aesthetic tolerances for each of the aforementioned applications, ensuring that the final product is of the utmost quality with regards to the specified visual appeal and structural integrity.

▶ **THE ANSI / AWI 0641-2019—ARCHITECTURAL WOOD CASEWORK STANDARD**, as well as, **AWI 100—SUBMITTALS, AWI 200—CARE & STORAGE, AWI 300—MATERIALS, AND ANSI / AWI 0620-2018—FINISH CARPENTRY INSTALLATION STANDARD** are presented in an interactive format online to view, bookmark, save and share free of charge through the Standards Area of [www.awinet.org](http://www.awinet.org). Printed copies of all AWI Standards are available for purchase in the website store.

With a trial membership, AWI is also offering non-member users free access to relevant education information, online My AWI Community discussions and member company specialties through its website's powerful new search feature that is the gateway to AWI's robust Digital Learning Portal at [www.awinet.org](http://www.awinet.org). Current AWI members have unlimited access to these bonus materials for the length of their membership.



آموزشگاه انعکاس منبع جدیدترین اطلاعات، مقالات و دوره‌های آموزشی دکوراسیون داخلی



**Brooklyn Hardware**  
MANUFACTURING

Panelclip®

Clipz®

Kingclip®

www.panelclip.com

Phone: 503-232-1151



**Flexible Materials**

INCORPORATED

**-Architectural Panels -  
Flexible Veneer Sheets  
Wood Veneer Edgebanding**

**Any Species ♦ Any Core ♦ Any Size  
FSC ♦ LEED ♦ CARB**

3101 Hamburg Pike ♦ Jeffersonville, IN 47130  
800.359.9663 ♦ www.flexwood.com

**GEMINI**

**WE DON'T  
CUT CORNERS,  
WE COAT THEM.**

Gemini Coatings is an elite interior and exterior wood coatings manufacturer providing product to professional wood finishers, distributors and consumers.

Gemini's goal each and everyday is to provide an **UNRIVALED CUSTOMER EXPERIENCE.**  
Let us have a chance to show you what a difference that philosophy makes.

MADE IN THE UNITED STATES

for more about Gemini

Proud Member of **AWI**

[www.gemini-coatings.com](http://www.gemini-coatings.com)

آموزشگاه انعکاس منبع جدیدترین اطلاعات، مقالات و دوره‌های آموزشی دکوراسیون داخلی

Enekas.Academy

Enekas.Academy



# DON'T LEAVE QUALITY TO CHANCE.

AWI Quality Certified woodwork means peace of mind from start to finish.

Guaranteed quality, up front, matters in topline architectural projects. It means the mental freedom to focus on other job demands and zero worry about late inspection costs due to quality concerns.

AWI's Quality Certification Program (QCP) is an unrivaled industry standard for interior architectural woodwork. When clients see certified woodworking specs in your bid, they will have higher confidence in the quality of the workmanship, at a very small percentage of the overall contract cost.

Plus, AWI's expert inspectors work as an extension of your firm, serving as your dedicated "quality assurance team" to deliver on best industry practices.



Greater confidence, better product, more business.  
Visit [awiqcp.org](http://awiqcp.org) for more information

آموزشگاه انعکاس منبع جدیدترین اطلاعات، مقالات و دوره‌های آموزشی دکوراسیون داخلی

 Enekas.Academy

 Enekas.Academy





# Platinum Building.

Memorable Place Created in Historic D.C. District.

آموزشگاه انعکاس منبع جدیدترین اطلاعات، مقالات و دوره‌های آموزشی دکوراسیون داخلی

 Enekas.Academy

 Enekas.Academy

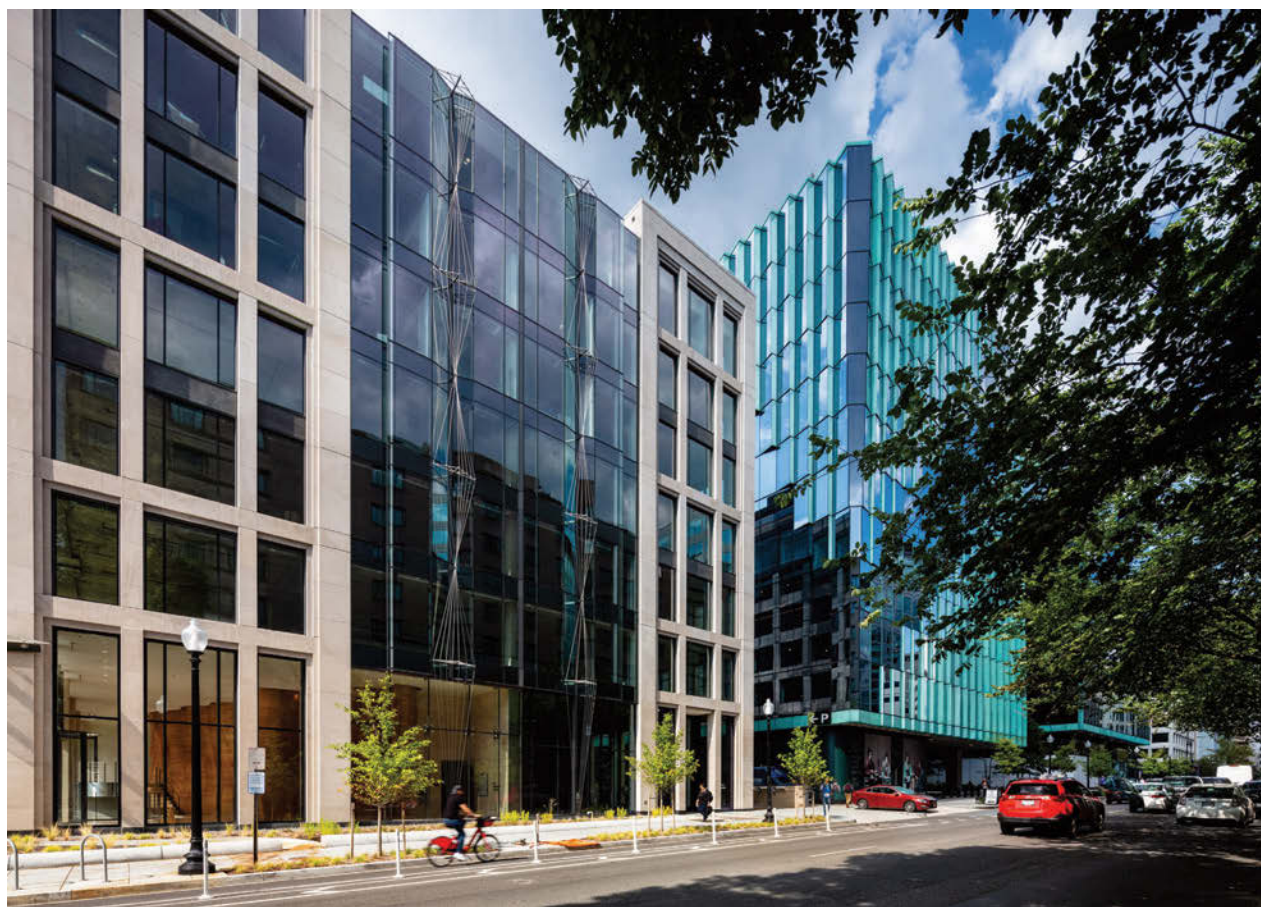




# W

ashington D.C.'s 1101 Sixteenth Street rejuvenates and links two adjacent 1970s buildings into one freestanding, trophy-class office building in downtown. Celebrating the area's rich history while amplifying the prominent Sixteenth Street Corridor

and minimizing overall real estate environmental impact were guiding principles for the repositioning of the building situated at the corner of Sixteenth and L Street, only blocks from The White House. 1101 Sixteenth Street offers rare design solutions that create a balance between honoring historic details with contemporary building needs. By implementing biophilic design, natural materials, and new amenity spaces, this trophy office building offers organizations the opportunity to create a memorable place along one of the most prominent streets in the city.



The building was designed by HOK Architects, Washington, D.C., while the architectural woodwork was fabricated by Fetzer Architectural Woodwork, an AWI member firm located in Salt Lake City, Utah. The 102,000 square foot, eight-story project took tenant occupancy in February 2019.

The design for 1101 Sixteenth creates a unique destination along this historic corridor and redefines the space to activate the corner and create a more “walkable” urban environment. An organically shaped pedestrian plaza, stainless steel sculptural ramp guardrail, and urban garden stands out from

typical Sixteenth streetscape experience. By adding distinctive amenity spaces with human-scale features, connections to nature, and a strong sense of place, 1101 Sixteenth both strengthens and reinforces the unique identity of this historic district, explains HOK’s Project Designer Monika Kumor.

## at a glance

AWI MANUFACTURING MEMBER:

**Fetzer Architectural Woodwork**

LOCATION:

**Salt Lake City, Utah**

ESTABLISHED:

**1909**

**Licensed QCP Manufacturer**



آموزشگاه انعکاس منبع جدیدترین اطلاعات، مقالات و دوره‌های آموزشی دکوراسیون داخلی

 Enekas.Academy

 Enekas.Academy





## Platinum LEED

1101 Sixteenth achieved LEED Platinum status with the carbon emissions of the renovation averaging a 53% reduction from prior performance. Reusing 100% of the two existing structures/ floor plates took less than half the time and cost of demolishing and rebuilding.



Replacing the core HVAC system with a VRF system instead of a traditional cooling tower, gave the building substantial energy savings while increasing amenity areas. Strategies resulted in a 36% indoor water reduction, 84% outdoor water use reduction, 60% open space, and embodied carbon savings from existing building reuse.



BASSWOOD

Architectural woodwork included large sculpted 3D parametric wood wall panel system and reception desk of Basswood, 16/4 thick, straight grain, light in color with minimal pitch, reports Will Forster, senior project manager at Fetzer's. Panels are spray stained with light orange stain and two clear topcoats of lacquer.

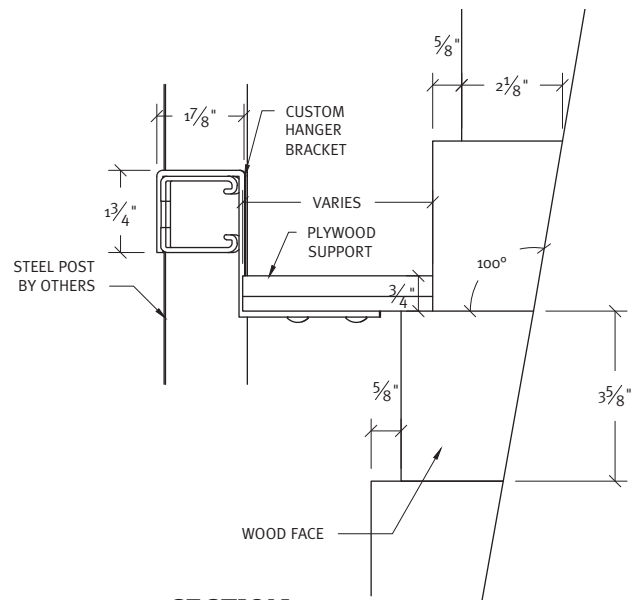




### Sculptural Wall

Spanning the full 18-foot floor-to-ceiling height of the main lobby is a three-dimensional sculptural wall that connects to the secondary lobby at the north and reflects the exterior landscape design. The solid Basswood feature wall was fabricated with CNC technology optimized for efficient material use and installation. A monumental stair floating within a new two-story atrium complements the fluid, dynamic sculptural wall while seamlessly connecting the previously separate building lobbies.

The team conceived the front plaza as a public park, says Kumor. A landscaped berm and stainless-steel sculptural wall incorporate accessible ramps and stairs into the design. Then, entering the building lobby, the dynamic three-dimensional, 18-foot-floor-to-ceiling sculptural wall seamlessly bridges the two previously separate building lobbies and structures and helps to visually anchor the building on this prominent corner.



SECTION  
@ HANGER BRACKET







“The curvilinear design of the wood wall was inspired by the organic, fluid forms found in canyons,” she continues. “Set behind the strongly articulated blocks of Indiana limestone walls on the building façade, this juxtaposition of soft and hard, fluid and rigid, gives the space an element of surprise and wonder entering the lobby. The constant exchange of ideas and knowledge between owner, design, and construction teams was critical to achieving such a striking design.”

The limestone floor stops short of the wall to create the illusion of continuity—an adjustment made by the team using the templates based on the woodworker’s final model, adds Kumor. “The ceiling light cove was created similarly. From the first sketch to the use of 3D modeling to visualize the complexities of the space—this team shared a willingness to meet the challenges of design and a passion for finding creative solutions.”

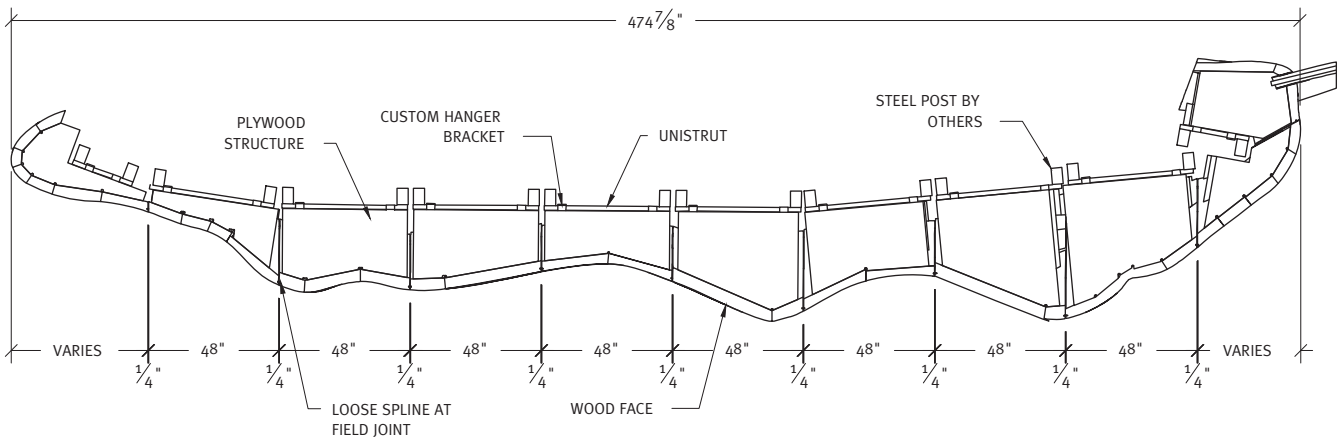
### Wall Challenges

The sculpted 3D wood wall panels were the most difficult to produce and the most noteworthy element of the project, says Forster. “Every panel had different topography and it wasn’t always apparent which panels would be adjacent as they were being installed. The paneling labels had to

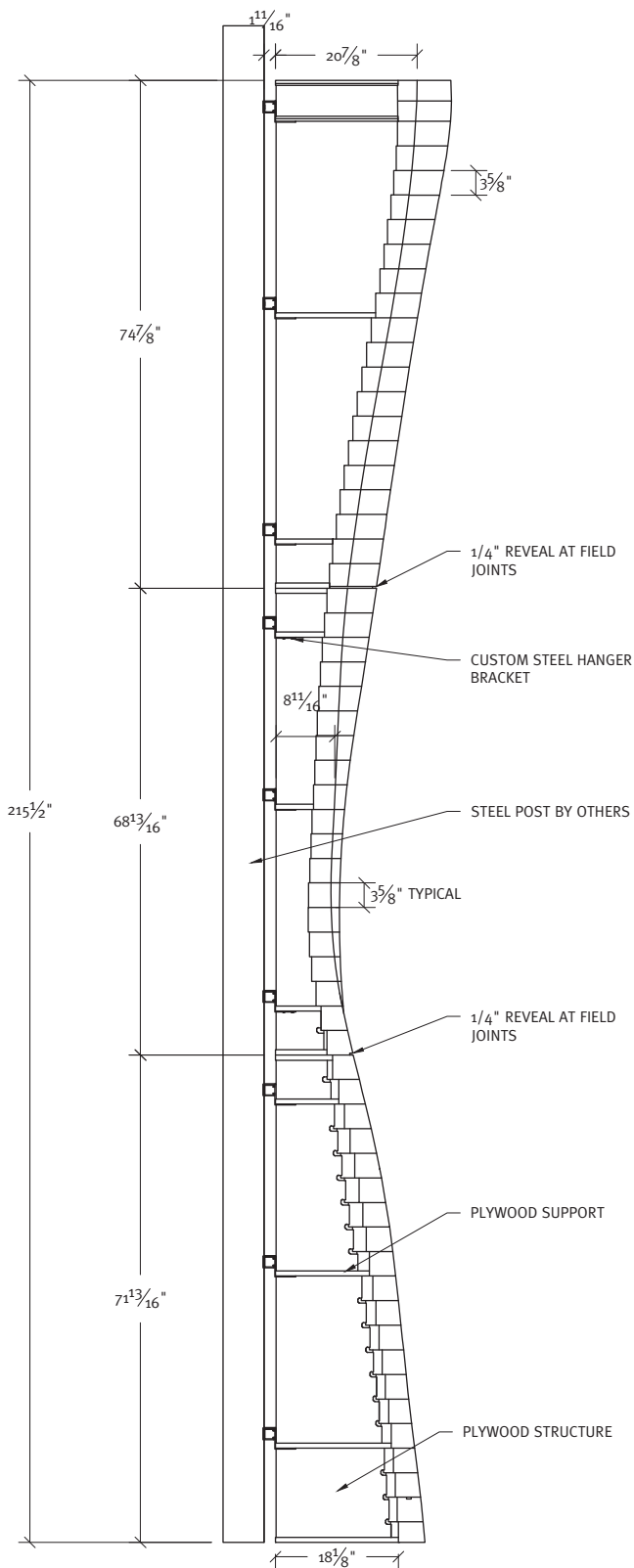
be followed precisely. The fabrication was equally as difficult since we could not layout the entire wall to make sure it all would come together in the field. We built a layout wall in our shop that we could install two ‘stacks’ at a time to ensure one matched the next then had to move one stack over and install the next stack and so on.”

“Fetzer architectural millwork can be found around the world, from retail stores in Europe and China to the LDS Conference Center in our own community. We lead the industry in innovation and craftsmanship.”

– Andrew Graham



PLAN  
@ FEATURE WALL



SECTION  
@ FEATURE WALL

Fetzer provided the design for the panel hanging method, the panel construction process, 3D modeling to tie it to the existing building, floor templates of the entire wall foot print and steel attachment posts to keep it all coordinated with all trades, Forster reports. “We helped the team simplify the wall design and stair tie in and also helped with the material selection and usage to minimize part count and handling cost.”

### Strong Collaboration

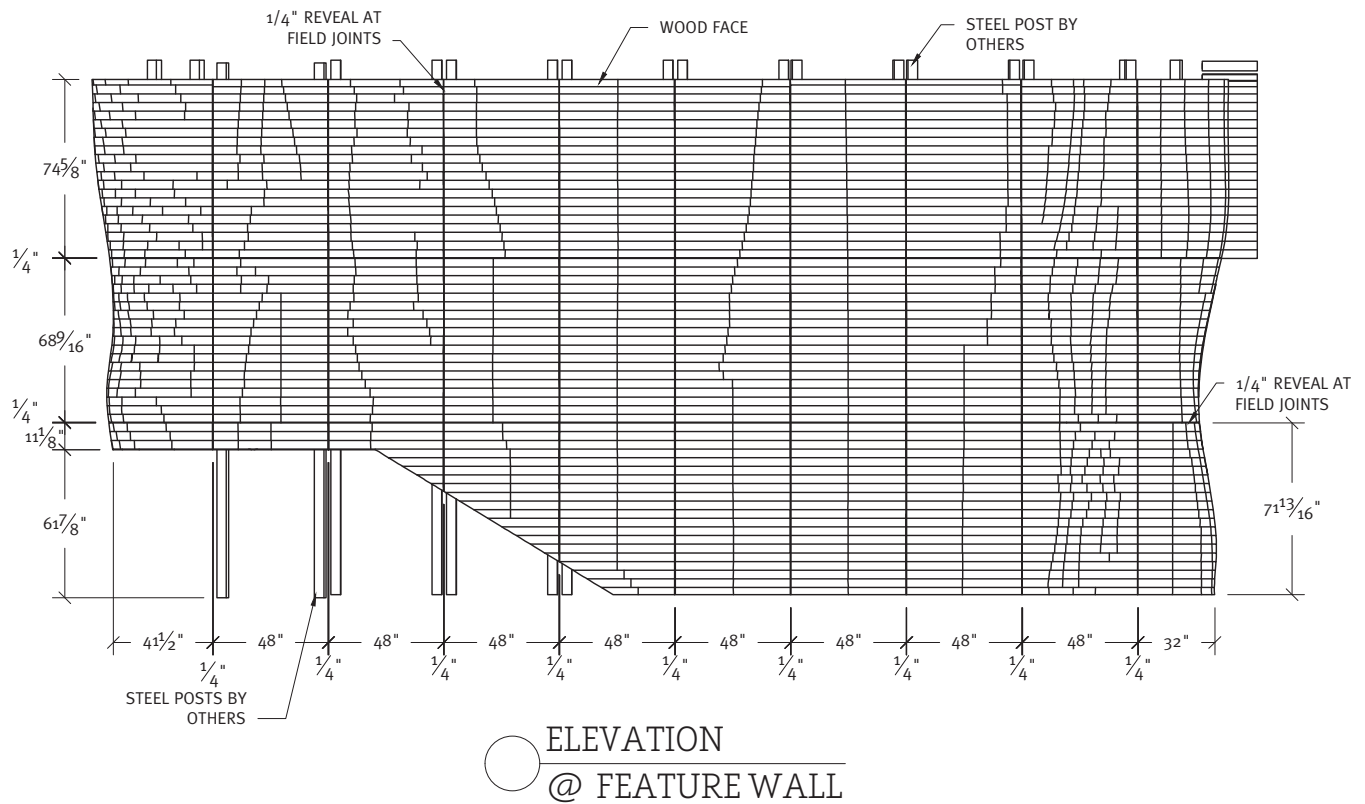
Fetzer joined the team to provide design-assist services and is truly an integral design partner on the wood wall project, adds Kumor. “The wood wall design idea was developed in the virtual 3D environment and it is within this virtual space that HOK and Fetzer closely collaborated with each other. Fetzer understood the design intent and is creative in finding the balance between beauty, cost and the physical limits of fabrication. HOK and Fetzer worked together to optimize the wall geometry to reduce material waste and to reduce the extent of backup support framing. The path of the joints between panels is another interesting collaboration in such an organic curvilinear form. The simpatico relationship extended to the fabrication phase- HOK and the owners visited Fetzer’s workshop to review the life-size panels and collaborated on the best way to locate the joints and the tiling of the wood fitches.”



“We couldn’t have asked for a better architect team. They were responsive to our suggestions and shared in the excitement of all the intricacies of bringing the project together,” says Forster.

Elements of biophilic design are on display in this lobby space. A softly-bermed landscaped plaza acts as a “fourth wall” of the lobby, featuring a stainless-steel sculptural guardrail. Once inside, the play of natural light against the wood wall—how it enters the space, is reflected and dispersed—brings the outside indoors, and creates a rich variety of experiences that put visitors into contact with nature. Portuguese limestone walls and flooring frame the dynamic shape similar to the street wall framing the soft landscaped plaza outside. Together these curvilinear forms shape the public landscape and link the main and secondary building entrances to create one unified building.





PROJECT:  
1101 16th Street  
Washington, DC

PROJECT OWNER:  
**Akridge**  
Washington, DC

WOODWORKER:  
**Fetzer Architectural  
Woodwork**  
Salt Lake City, UT

ARCHITECT:  
**HOK**  
Washington, DC

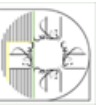
GENERAL CONTRACTOR:  
**Clark Construction**  
Bethesda, MD

PHOTOGRAPHER:  
**Alan Schindler**  
Caldwell, NJ

آموزشگاه انعکاس منبع جدیدترین اطلاعات، مقالات و دوره‌های آموزشی دکوراسیون داخلی

 Enekas.Academy

 Enekas.Academy



**R**apid7, a leading provider of analytics and automation solutions for security and Information Technology professionals, has recently opened the doors of its beautiful global headquarters in Boston. The company occupies floors four through seven, 150,000 square feet, of a brand-new development block in the city's North Station neighborhood flanking Boston's TD Bank Garden. As a physical manifestation of the company's culture, the new workplace is designed for creative disruption.

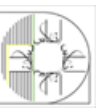


**RAPID7**

آموزشگاه انعکاس منبع جدیدترین اطلاعات، مقالات و دوره‌های آموزشی دکوراسیون داخلی

 Enekas.Academy

 Enekas.Academy







# Office Neighborhoods.

Themed Floors Set the Stage for a Creative Workplace.

آموزشگاه انعکاس منبع جدیدترین اطلاعات، مقالات و دوره‌های آموزشی دکوراسیون داخلی

 Enekas.Academy

 Enekas.Academy





آموزشگاه انعکاس منبع جدیدترین اطلاعات، مقالات و دوره‌های آموزشی دکوراسیون داخلی

 Enekas.Academy

 Enekas.Academy







## at a glance

AWI MANUFACTURING MEMBER:

**Millwork One**

LOCATION:

**Cranston,  
Rhode Island**

ESTABLISHED:

**1989**

FACILITY:

**80,000 square feet**

**Licensed  
QCP Manufacturer**

Rapid7 was conceived by its three founders in 2000 as they rode the number 7 New York subway; the company's name references not only their "aha" moment but a focus on the information super highway.

The team at IA Interior Architects, Boston, partnered with Rapid7 on the new headquarters, as it has on multiple global offices along with the company's former headquarters. All locations take cues from a dynamic culture, global guidelines, and site location. Architectural woodwork for the project was fabricated by Millwork One, an AWI member firm located in Cranston, Rhode Island.

### Vibrant Design

With an industrial feel, the overall design connects teams, brand, culture, and location. It speaks to the vibrant spirit of Rapid7's employees and mission. Shared themes are apparent throughout, such as the One Moose mascot that represents all achievements and successes that are the result of a team—derived from the singular and plural grammatical use of moose.

Conceived as a vertical ecosystem, each floor houses specific departments aligned with four pillars that make Boston the animated city that it is —neighborhoods, sports, technology, and education. Visual connections heighten the experience; teams are linked together for cross functionality and mobility with robust amenity hubs, central and distributed conferencing, training rooms, and alternative work settings. Individual space is minimized, group space maximized. This mix of space types with an emphasis on collaboration space creates a vibrant collection of unique experiences that align the Rapid7 culture with its workplace.

The reception floor is inspired by Faneuil Hall and other Boston neighborhood marketplaces. The central area, with adjacent interview and client-facing meeting spaces, features a hospitality-type lounge and fireplace. Nearby, lattice work and string lights bring in an organic sense of the outdoors. The main café is on this floor, as well as a place for pop-up food offerings and a coffee bar with full-time barista. Other amenities include an amphitheater, a mother's suite, wellness rooms, showers and lockers, a library, training rooms and a user experience lab.



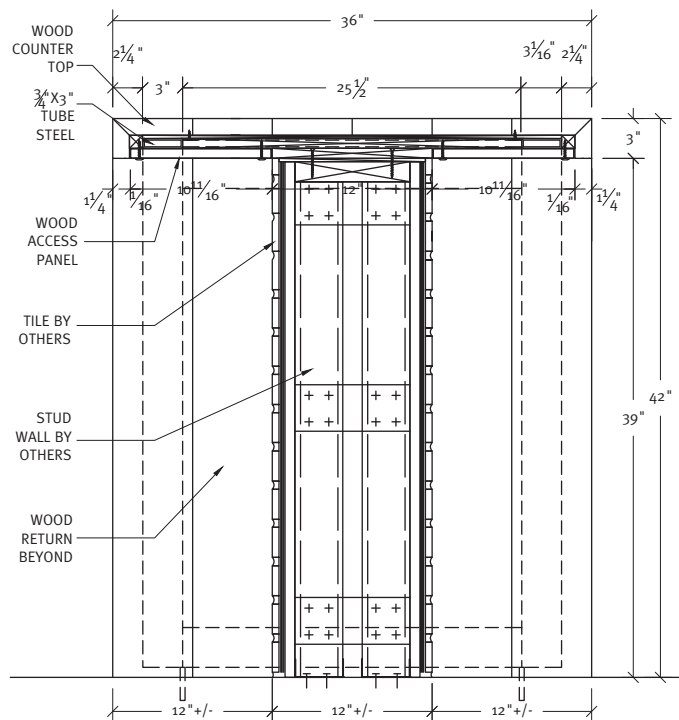
آموزشگاه انعکاس منبع جدیدترین اطلاعات، مقالات و دوره‌های آموزشی دکوراسیون داخلی



Moving up the stairs, each floor's theme is brought to life through amenities, regional connection, graphics, and signage. The fifth floor emphasizing sports is passionate and gritty; it houses the lively, competitive sales department and offers gaming space. The sixth floor, inspired by technology's fearless innovation, serves IT and marketing, and is home to the genius bar. The seventh floor for engineers is themed for education with focused yet quirky characteristics. With a nod to Boston's renowned research and academic entities, it offers a library by day that becomes a speakeasy at night.

### Vibrant Woodwork

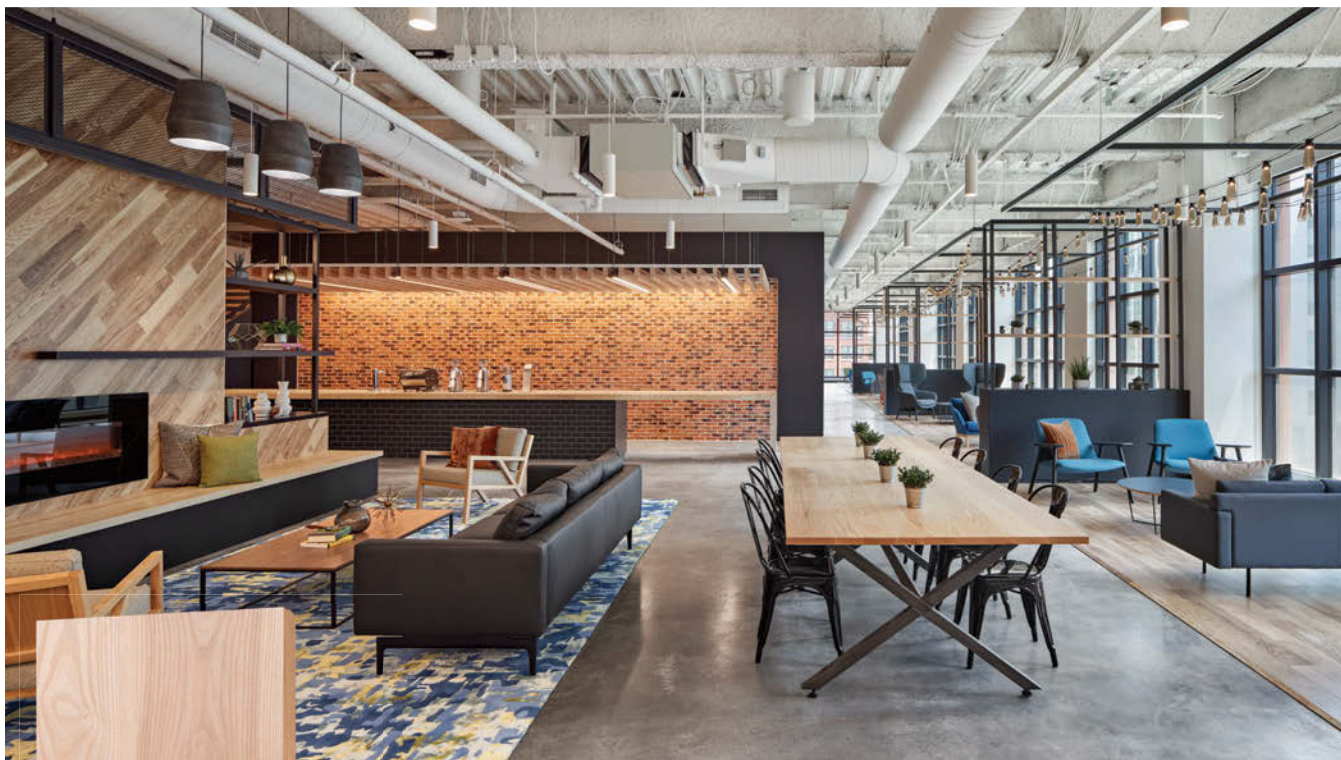
According to Alyssa Dempsey, project manager at Millwork One, "within this office fit-out, our scope included a wide variety of items including stair treads, bleacher seating, metal wall panels, backlit reception desk, a café with casework, metal shelves and wall panels, a barista bar with casework, paneling and seating, a library/speakeasy with a bar island, brass top and laminate bookcases, as well as various areas of trim, tongue and groove wall/ceiling paneling, casework and restrooms."



SECTION  
@ BARISTA ISLAND





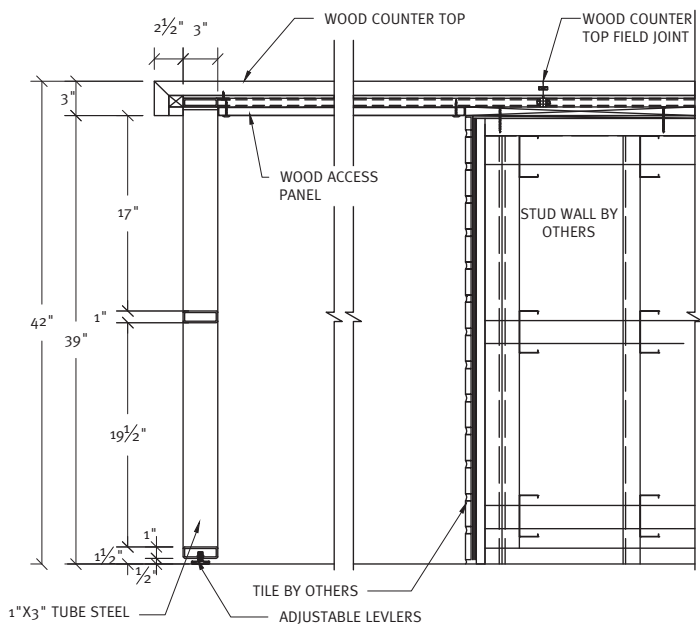


ASH

The wood used throughout the project, including the atrium stairway and tongue and groove paneling, is plain sawn Ash with a clear finish. The random colors and patterns within the Ash allowed the beauty of the wood to shine through.

“The tone and application of the wood was important to Rapid7 as we wanted to create a cohesive finish platform across our global sites,” explains Jamie Kinch, vice president, real estate and workplace experience.

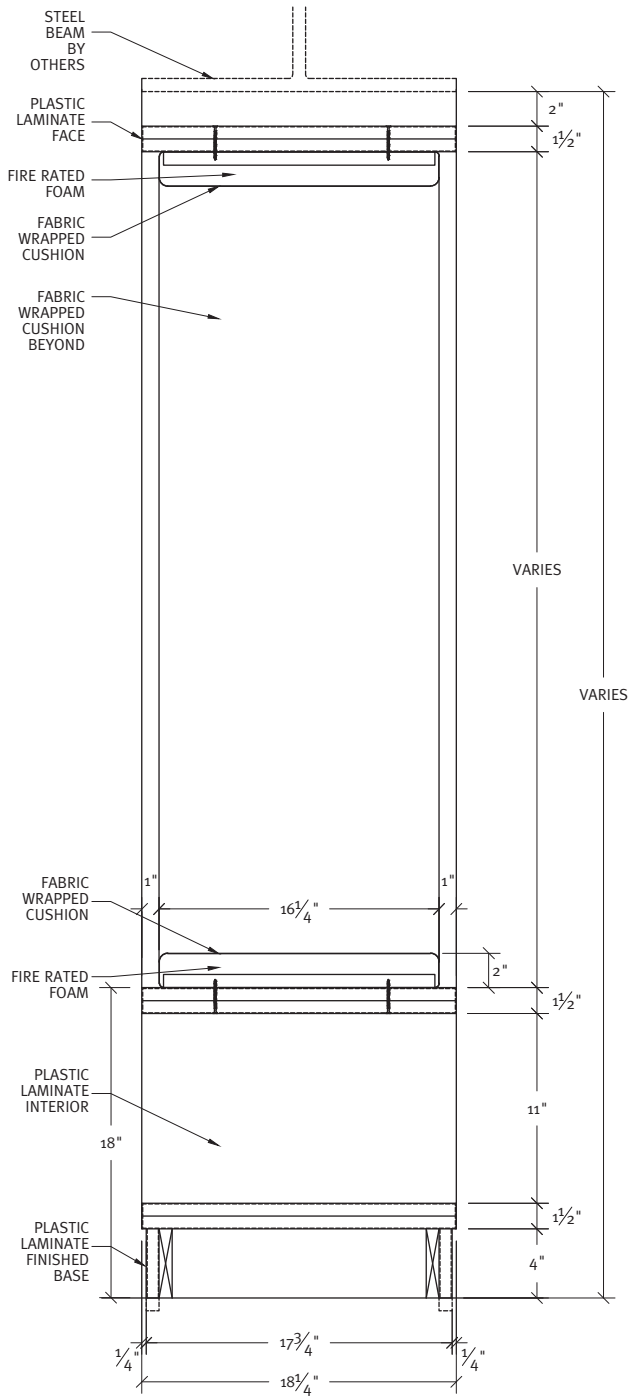
“The woodwork throughout the project provides warmth and creates a residential feel while providing a platform for cultural expression in amenity zones and team personalization within the neighborhoods.”



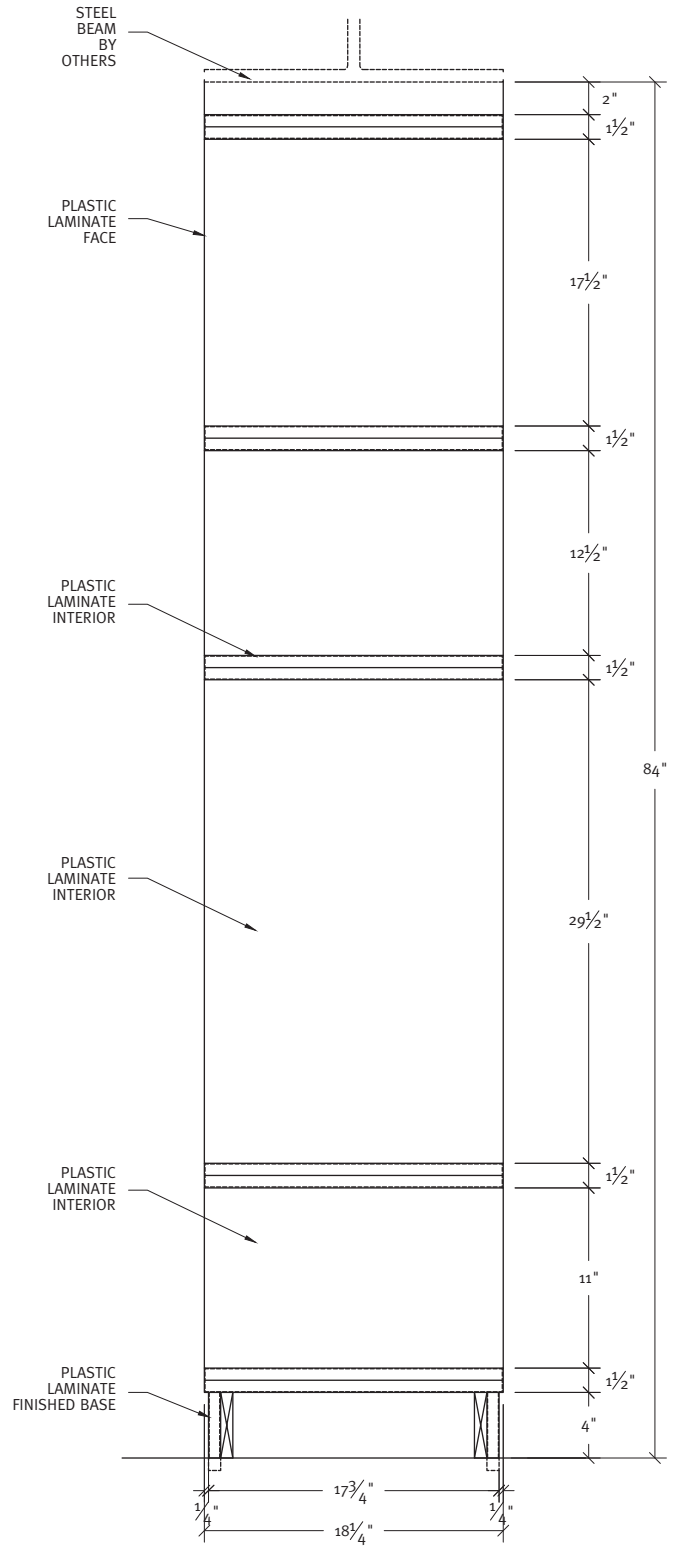
SECTION  
@ BARISTA ISLAND COUNTER

“ Millwork One is making great strides in our green initiative pact to become a responsible partner in helping preserve the environment and natural resources in New England and beyond, including becoming solar-powered. ”

– John Fish, President



SECTION @ BENCH



SECTION @ BENCH





## The Challenges

Dempsey recalls, “within the main café, barista bar and library/speakeasy we used a mixture of laminate, solid wood, blackened steel quartz and powder coated metal. The variety of materials gave each area its own unique look. To accomplish this, a lot of coordination was required throughout engineering, purchasing and manufacturing to ensure the materials fit together correctly and to achieve the specific look the architect intended for the space.”

“Our engineer was responsible for coordinating the vast amount of materials and equipment within our shop drawings,” she continues. “Drawings were given to the framers and used to layout specific rooms in the field to ensure their framing worked with what we needed. Rather than us fitting to walls, we had entire rooms built to fit our cabinet/panel layouts.”

The extremely tight schedule added to the challenge, she notes, so weekly field visits were made to closely monitor all areas and to release items to fabrication well ahead of schedule.

“We had a great working relationship with IA Architects,” she adds. “They were very responsive to our suggestions on details and were always available to get quick answers when we needed them.”

PROJECT:  
**Rapid7 Headquarters**  
Boston, MA

PROJECT OWNER:  
**Rapid7**  
Boston, MA

WOODWORKER:  
**Millwork One**  
Cranston, RI

ARCHITECT:  
**IA Interior Architects**  
Boston, MA

GENERAL CONTRACTOR:  
**John Moriarty  
& Associates**  
Winchester, MA

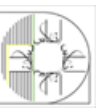
PHOTOGRAPHER:  
**Robert Benson**  
Hartford, CT





# Driving Design.

Auto Dealership Brings Luxury to Facility with Elegant Wenge Wood.







The Leith Family has a long history of established car dealerships in North Carolina, respected in the community for delivering high quality vehicles and excellence of vehicle service to their customers. The Leith Lincoln Dealership represents their first dealership opened in Raleigh in 1969 and part of the Leith Automotive Group, which is still a family-run business.



WENGE



This striking new project represents a flagship design project, setting precedence for future Lincoln dealerships across the country. Because of this a strong relationship was required among the architect, the owner, the corporate Lincoln design team, the general contractor, and all the trades. The architect for the project was Wilkinson Design PLLC located in Raleigh which had the arduous task of interpreting and conveying the corporate branding for the end product. Architectural woodwork was fabricated and installed by RLS Commercial Interiors, Inc., an AWI member firm from Wendell, North Carolina.

The dealership is a 27,400 square foot facility that had an approximate seven-month duration for construction, reports Erich Wilkinson. "The Lincoln prototype has very clean, simple lines and incorporates large expanses of glass and metal panels on the exterior allowing the entire facility to be a visual showcase. The floor elevation of the showroom is elevated 30" and creates interesting views of the entire facility. The clean, horizontal lines and planes create an uncluttered simplistic facade."

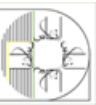
### Wonderful Wenge

A luxury car deserves a luxury dealership design. The primary wood used throughout the project is Wenge in the form of veneer paneling, solid Wenge wood base, and black stained rift cut Ash for the Black Label Area. Other items included fabric-wrapped panels, plastic laminate cabinetry, service stations, the mobile reception station, and the solid surface and quartz counters, all provided by RLS Commercial Interiors.

"The wood selection followed the Lincoln prototype, however we feel the dark stained wood contrasts very nicely with the white exterior metal panels," points out Wilkinson. "We feel the woodwork adds a high level of warmth and richness to the space, especially incorporating wood veneer into all the customer contact areas from sales nooks, to the customer lounge and the service areas."

RLS' Robert Stout explains that the woodworking firm "was resolved in determining the best means of interpretation within the shop and visually helping to define details. We approached clarification of wall types and wall profiles through building scale models. Approximately nine models were fabricated for the most intricate applications. Details were presented to the architect and contractor for review and approval and the architect was able to photograph and redline the details for approval."

"Though we are not set up with a 3D engineering program, we determined it would be in our best interest to build 1/4 scale models of the wall systems and related fixtures so to see their details in relation to each other, thus aiding in our best plan-of-attack for fabrication and installation," Stout continues.





“In the end, we believe the models helped the architect, the contractor, and our shop immensely in time savings and promoting greater understanding of the sophisticated details as presented by the owner. These models played a vital role toward visualizing difficult details while easily paying for themselves through greater efficiency within our company,” Stout says.

### Notable Team

The detailing at the black label metal framed wall was very challenging, recalls Wilkinson, as was how the wood panels integrate with ceiling joints and glass joints. “All of this was handled very well by the architectural woodworker.”

## at a glance

AWI MANUFACTURING MEMBER:

**RLS Commercial Interiors, Inc.**

LOCATION:

**Wendell, North Carolina**

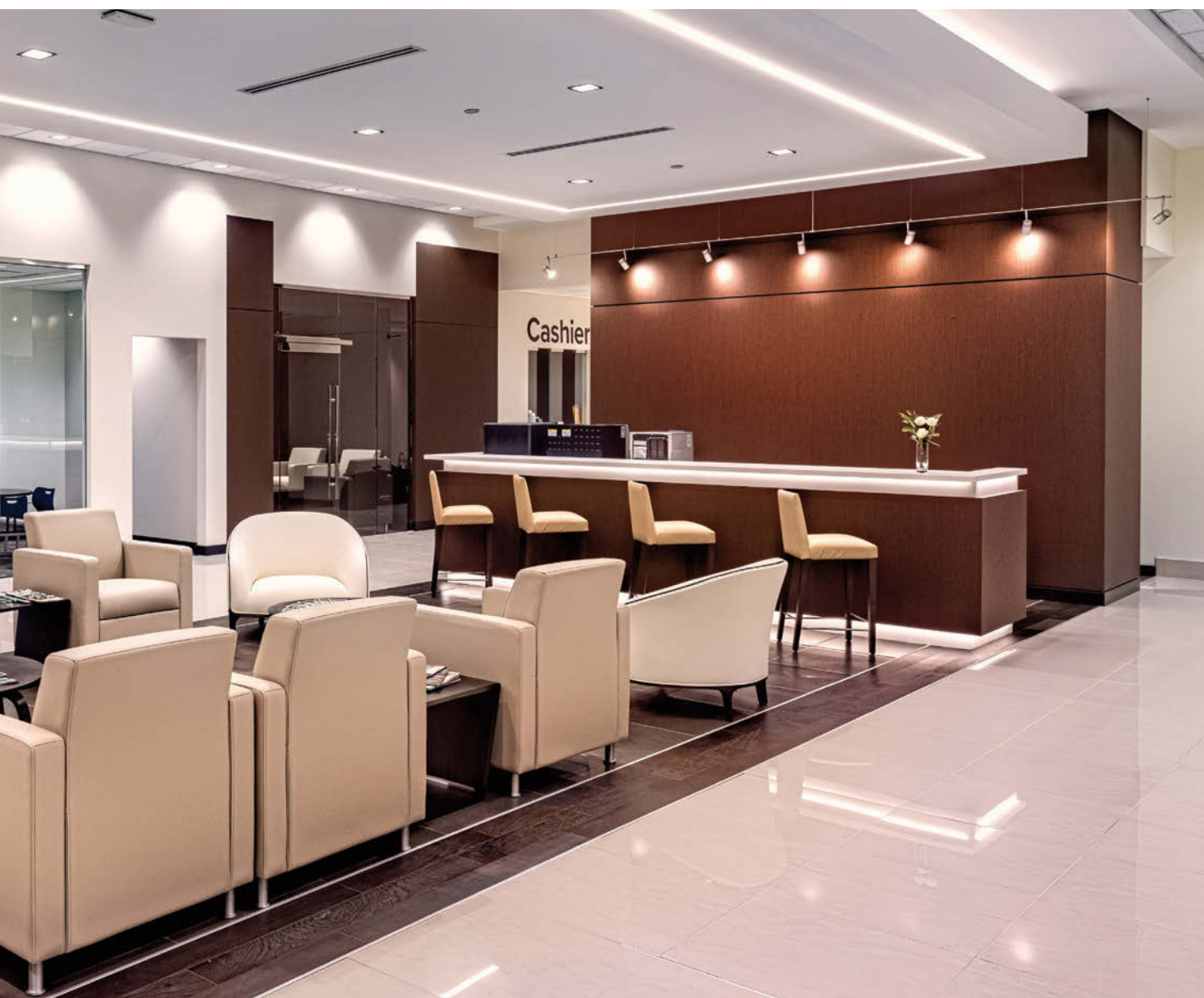
ESTABLISHED:

**1984**

FACILITY:

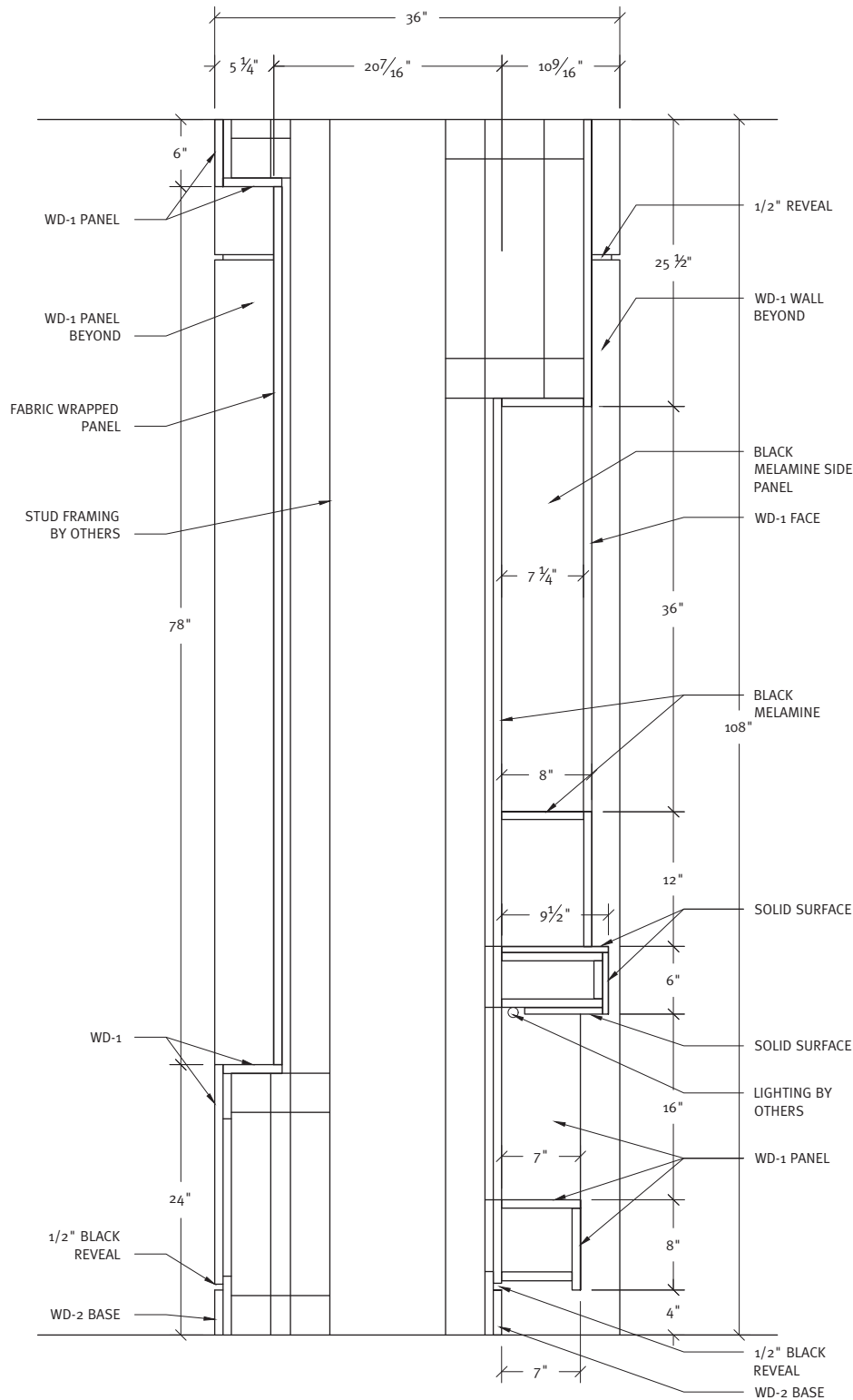
**10,000 square feet**

“Working to coordinate lighting and electrical access for other trades, coordination and layout of the pavilion and craftsman profile walls for the framing contractor was a challenge,” says Stout. “The architect was exceptional in his understanding and navigating through the overall project while demonstrating flexibility to accomplish the final design and remaining very accessible with all trades.”









SECTION  
@PAVILLION WALL

Wilkinson says, “RLS is a joy to work with and they are very talented. Their goal is to produce the highest-level product. Their vision to build the scale models was a huge success in the process of applying the Lincoln prototypical design to our facility. The high level of workmanship and ability to collaborate are very refreshing in today’s workplace. They listened to desires, reviewed the drawings and collaborated at every aspect of the project from the initial design documents through shop drawings and installing the product in the field, continually asking how to address the challenging aspects of this project.”


“ We strive to be a company of respect and integrity, setting ourselves as a leader of innovation and resource within the industry.”

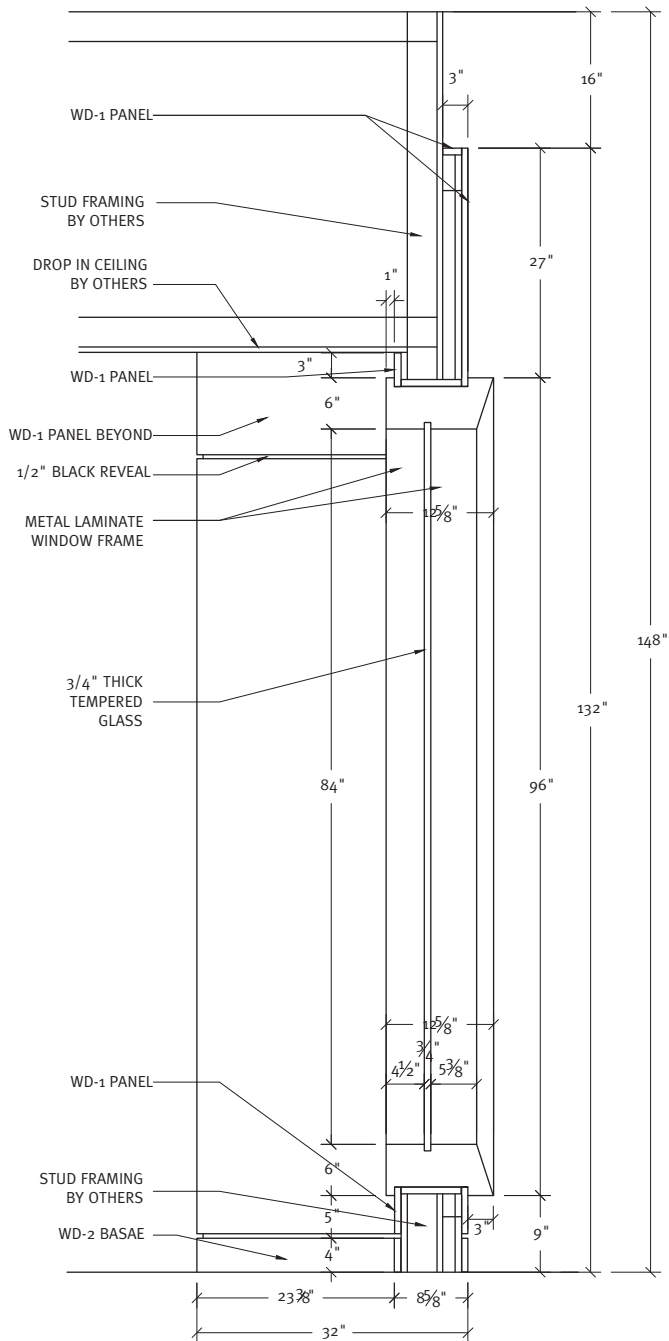
– Robert Stout

In an overall review of the project, the team agrees there was great importance within the architect's role toward interpreting and conveying the corporate branding for the end product. Wilkinson Design had the challenging

task of communicating a highly demanding design to the general contractor, woodworker and various trades for construction while maintaining ongoing communications with the owner and the corporate

Lincoln design team. RLS produced luxurious and functional woodwork elements while precisely interpreting design intent. Diamond Contracting brought a dynamic team of trades together while

keeping the project focused and on schedule. Together, the team was successful in delivering an excellent product that the dealership owner is proud to call its new home. 



SECTION  
@ WINDOW WALL SECTION





PROJECT:  
**Leith Lincoln Car  
Dealership**  
Raleigh, NC

PROJECT OWNER:  
**Leith Family**  
Raleigh, NC

WOODWORKER:  
**RLS Commercial  
Interiors, Inc.**  
Wendell, NC

ARCHITECT:  
**Wilkinson  
Design, PLLC**  
Raleigh, NC

GENERAL CONTRACTOR:  
**Diamond Contracting, Inc.**  
Garner, NC

PHOTOGRAPHER:  
**Jeannie Blinson  
Thomson**  
Wendell, NC



آموزشگاه انعکاس منبع جدیدترین اطلاعات، مقالات و دوره‌های آموزشی دکوراسیون داخلی

 Enekas.Academy

 Enekas.Academy







# Comfortable Dining.

Secondary School Renovates  
and Expands Dining Hall.

آموزشگاه انعکاس منبع جدیدترین اطلاعات، مقالات و دوره‌های آموزشی دکوراسیون داخلی







**f**ounded in 1792 and located in western Maine in the foothills of the White Mountains, Fryeburg Academy is an independent, co-educational secondary boarding and day school serving grades 9-12, and offering post-graduate year. The Academy's campus is a combination of historic and newer buildings, all of which have a classic New England feel. According to Joseph Manning, assistant head of school, "it was important to our building committee that the new dining hall incorporate architecture elements fitting to the school's history and our natural surroundings."



Fryeburg Academy embarked on a new campus project for the renovation of their 1950s dining hall into a new student union as well as a new 10,100 square foot dining hall addition to replace the current dining hall. The approximately \$6 million dollar project was to accommodate additional dining seating, a new kitchen, and a multi-platform restaurant style dining concept. The goal of the project was to develop a series of spaces which will increase student engagement, satisfaction, and provide a place to build and foster community. The project took roughly three years from initial concept to construction completion.

Design for the new dining hall was commissioned to Connor Architecture LLC, Lexington, Massachusetts. Architectural woodwork for the project was fabricated and installed by Windham Millwork Inc., an AWI member firm located in Windham, Maine.

### Modern Dining

The existing student dining space was very dated and small. The dining platform was served by a single counter for hot food and a floating salad bar with other adjacent surfaces for offerings. The smallness of the space felt claustrophobic with hundreds of students trying to eat lunch in a meal period, and their auditory volume could be overwhelming. The new space accommodates 342 seats and separates seating areas away from the high traffic area of the serving line so that the lines don't become overwhelmed with congestion.

Separating the salad bar into a larger island station with space around it and moving condiments and beverages to the end of the serving line takes the pressure off the main serving line. The new space has a very high, angled acoustical roof deck that helps to make the general feeling of the

room more open and less compressed, and accounts for the noise that students can produce during lunch or other mealtimes. "We felt that keeping the room lighter toward the ceiling volume played a part in drawing your eyes upward, highlighting the vastness," says Justin Cucci of Connor Architecture.





# at a glance

AWI MANUFACTURING  
MEMBER:

**Windham Millwork Inc.**

LOCATION:

**Windham, Maine**

ESTABLISHED:

**1957**

FACILITY:

**65,000 square feet**

**Licensed QCP  
Manufacturer**

The main kitchen is now twice as large as its previous incarnation. The finishes are modern and clean with FRP walls, quarry tile flooring and stainless steel. The work area is disguised from the front of house by wood serving counters and vertical elements that block aspects of the utilitarian kitchen beyond.

## Pine Paneling

According to Tim Nunn of Windham Millwork, the firm manufactured and installed Pine wall paneling, the servery line, check out kiosk, the metal I beam structures, decorative Red Oak beam structures at columns, condiment stations and recycle units for the dining hall.



PINE



آموزشگاه انعکاس منبع جدیدترین اطلاعات، مقالات و دوره‌های آموزشی دکوراسیون داخلی







Wall paneling is Pine, trims are Red Oak, and cabinets and casework are laminate with metal accents.

“We selected Oak primarily for the graining that we could achieve,” explains Cucci. “We wanted an almost cerused look on some elements and an inverse scraped grain look on others.”



RED OAK

The salad bar surround, the wood finish details there and the armatures holding the light fixtures are very noteworthy, he adds. “The wood detailing on the salad bar is unique and accomplished particularly well. The scale and height of the armatures makes for a dynamic feature within the space.”

“One of the biggest challenges was keeping the old kitchen online throughout the construction process,” he continues. “This particular school is both a public school and a private boarding school, so all meals for all students at all times of day come from the same kitchen.”







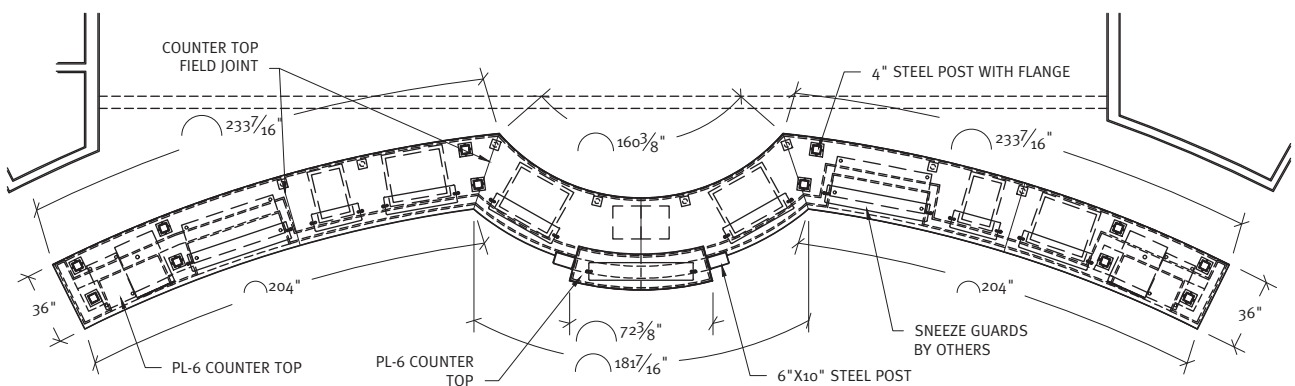
It caused us to think about phasing the project so that the renovation of the old spaces would be done after this dining hall came online. Also, we had to find a way to accommodate public school requirements for how those students are required to check out alongside the board plan students. It was a small space planning challenge, but one that was vital to the function of the program."

Tying in the two server lines and kiosk with the metal I beams was a challenge, notes Nunn. "We had to coordinate with the metal fabricator, contractor and our design team to make sure the placement of the servery line and metal I beams were in the correct locations. The I beams had to tie into the concrete floor pads. We worked well to coordinate long lead items and finished on time."



“ At the heart of our business is our commitment to provide our clients with 100% satisfaction on all of our projects. ”

- Chad Pulkkinen, Owner



PLAN  
@ SERVING LINE

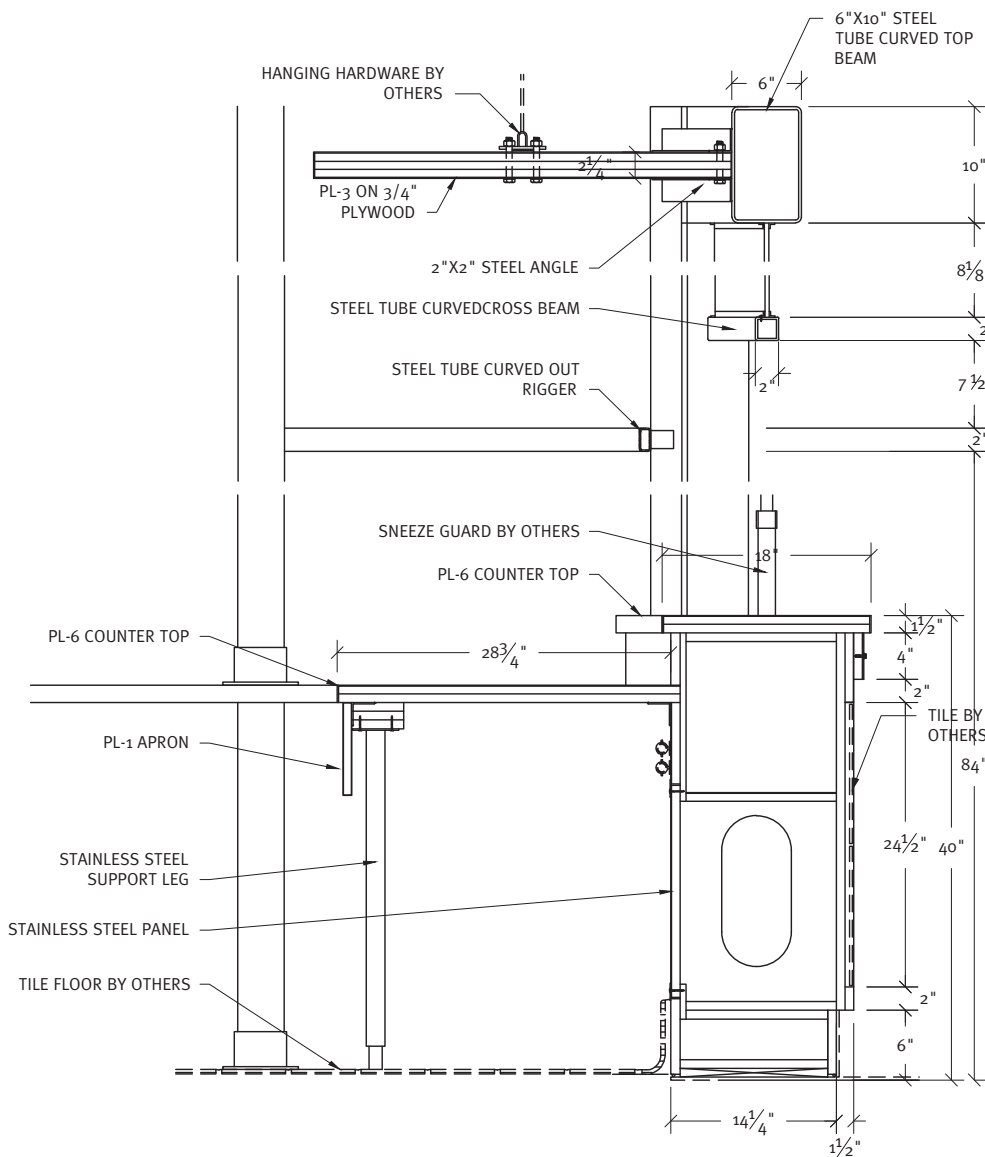
## Precise Teamwork

“This project went off without a hitch,” says Nunn. “We had a very strong working relationship with the architects and look forward to doing more work with them. We are currently doing phase II of this project.”

The team did a fantastic job executing the details we were looking for throughout

the project and paid special attention to the wood finishes that we wanted to use, summarizes Cucci. “Windham Millwork’s detailed and comprehensive shop drawings process as well as wood finish samples really helped with achieving the look we were trying to achieve.”

The new dining hall is a beautiful open concept space for our community that is both inviting and comfortable, says Manning. “The wood detail is a focal point for the large, open space. The use of bold wood elements throughout creates a sense of being outdoors, which is especially nice during the winter months that can sometimes feel long here in New England.”



SECTION  
@ SERVING LINE





PROJECT:  
**Dining Hall Renovation**  
Fryeburg, ME

PROJECT OWNER:  
**Fryeburg Academy**  
Fryeburg, ME

WOODWORKER:  
**Windham  
Millwork Inc.**  
Windham, ME

ARCHITECT:  
**Connor  
Architecture LLC**  
Lexington, MA

GENERAL CONTRACTOR:  
**T. Buck Construction**  
Turner, ME

PHOTOGRAPHER:  
**Robbie Basquez**  
Windham, ME



آموزشگاه انعکاس منبع جدیدترین اطلاعات، مقالات و دوره‌های آموزشی دکوراسیون داخلی

 Enekas.Academy

 Enekas.Academy





# FIVE GREAT REASONS TO SUBSCRIBE TO DESIGN SOLUTIONS.

- 1 Helpful technical articles and advice.
- 2 The only design magazine that provides drawings.
- 3 The place to learn about designing with wood.
- 4 Fabulous projects!
- 5 New Products Pages.



There are plenty more great reasons to subscribe to this exciting quarterly design publication, including the low rate of **only \$25** per year.

However, for many design

professionals, the convenience and ease of useful and practical technical techniques are at the top of the list. So if you are interested getting great design ideas through drawings and projects, and if you

do not have a number beginning with the letter P above your address printed on the front cover, use the form below to begin your paid subscription.

Or visit [awinet.org](http://awinet.org) to subscribe.

Yes! Start my Subscription to **Design Solutions** today!

Name \_\_\_\_\_ Company \_\_\_\_\_

Address \_\_\_\_\_ City \_\_\_\_\_ State \_\_\_\_\_ Zip \_\_\_\_\_

Phone \_\_\_\_\_ e-mail \_\_\_\_\_

Subscription Rate: \$25 per year (four issues) Check/Money Order Enclosed (check payable to AWI) or charge to:  VISA  MasterCard  American Express

Name on Card \_\_\_\_\_ Signature \_\_\_\_\_

Card Number \_\_\_\_\_ Expiration Date \_\_\_\_\_

Mail or FAX this form to: Architectural Woodwork Institute, 46179 Westlake Drive, Suite 120, Potomac Falls, VA 20165 OR Phone (571) 323-3636 Fax (571) 323-3630

آموزشگاه انعکاس منبع جدیدترین اطلاعات، مقالات و دوره‌های آموزشی دکوراسیون داخلی

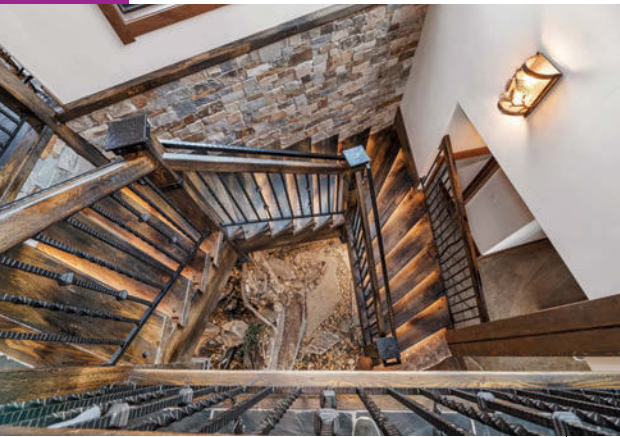




# THE ADVANTAGES OF CONCURRENT STAIRWAY DESIGN.

In a concurrent design system, the goal is to infuse knowledge of downstream activities into the design process so designs can be generated in less time and executed at lower costs.





It is a rare occurrence when the stairway, regardless of its location, does not command attention. Whether by its aesthetic virtues, as a practical invitation to another level, a means of escape, or a poorly maintained hazard to traverse, it is an element that dictates the involvement of a wide range of knowledge critical to its design and execution.

Few such details in the “finish” built environment must meet such stringent structural requirements while regulating the health and safety of the occupants and facilitating their access and use of the building. For these reasons, concurrent stairway design should be considered essential in the overall design process to mitigate integration issues, code violations, project delays, and cost overruns.

Let’s look at the example of a straight flight of stairs. Begin with interpreting the architectural plan, which is often simply shown as a series of single parallel lines. To some, these lines represent the leading edge of each tread, while floor system builders interpret the top line as the edge of the well hole. Arguably, the line at the top of the stair could represent the nosing’s projection past the top riser, or a face of the top riser, or the rough well. As a result, interpretations may easily vary by two to three inches or more which leads to some well hole framing being two inches shorter than is required for the finished product.



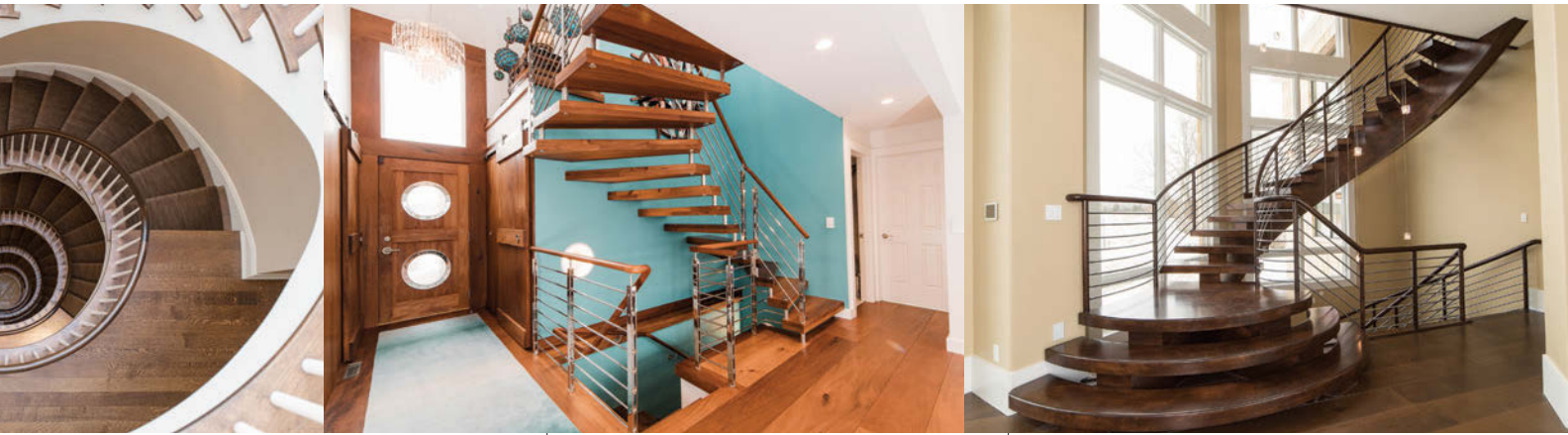
Additionally, although rarer, the well hole width may also be compromised when wall material thickness changes or is not considered. It is apparent how, even in the “simplest” stairway, collaboration between the designer, the builder, and the stairbuilder from the onset could result in enhancement of the design objectives rather than compromise the build.

#### **CODE REQUIREMENTS**

The potential of compromising the stairway design can compound when code requirements are misunderstood. When the same straight flight of stairs is drawn with a 10-inch tread depth (unit run) and the inspector cites the code requirement of a minimum 11-inch tread depth, the variance of an inch per tread has now grown to 15-20 inches in the flight.







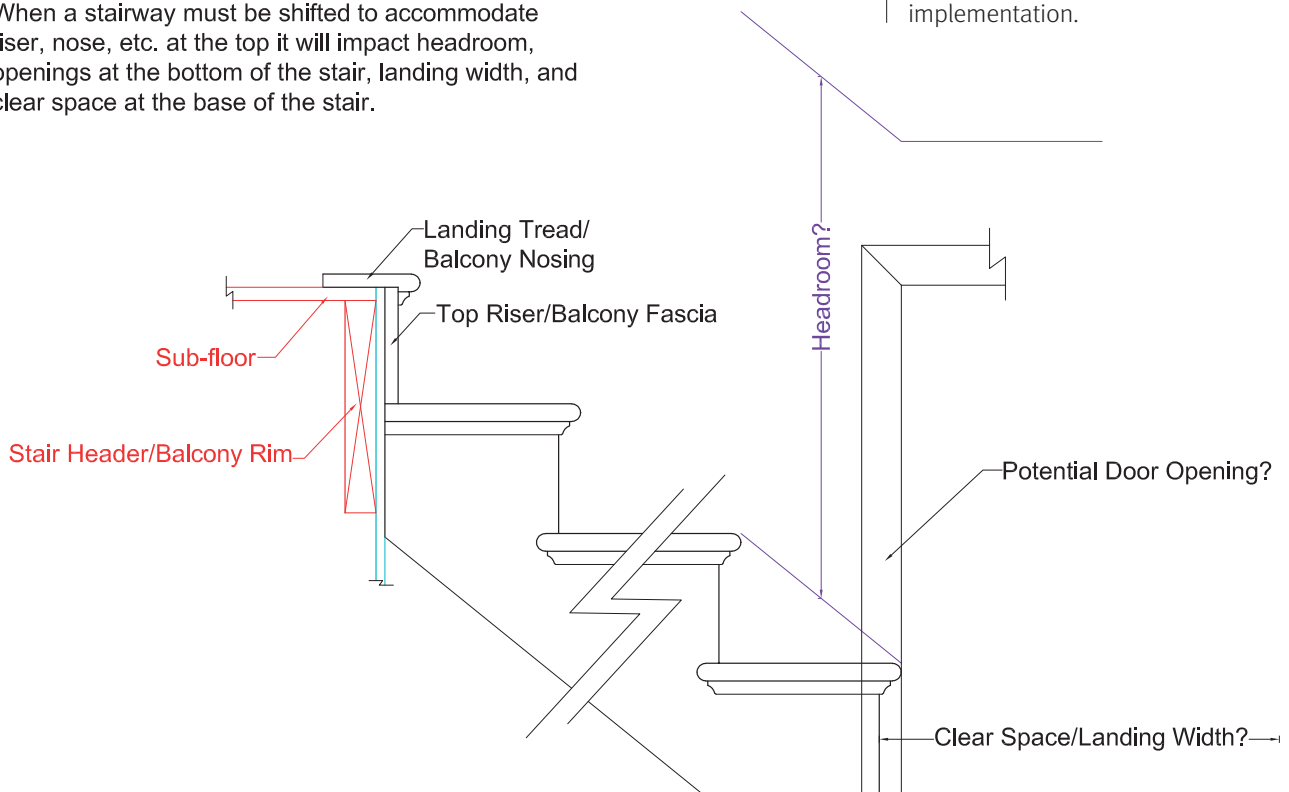
The original design may now no longer fit in the intended opening. These discrepancies could force significant design changes. As stair complexity increases, changes may require substitution of winders, adjustment of landing heights and widths, extending the length of flights, or changes in balustrade and handrail systems.

When changes of this nature cannot resolve the issue, significant structural changes such as enlarging the well hole or moving walls to expand the space become necessary. Any changes to accommodate these variations must be accounted for in terms of time and money while realizing the stressful redesign and alteration process achieves a compromised design at best. Allowing for space for the stairway should be the number one consideration to ensure the achievement of the design objectives.


### Important Considerations

What else needs consideration? As the staircase becomes more complicated, there is much more to consider beyond the overall dimensions and code compliance. The alignment of flights with adjoining landings and floors is critical to the design and location of the balustrades and continuity of the handrail system. Consider the same straight flight with a rake balustrade that exits onto an upper floor with a level balustrade. Even in this simplified example, ensuring the two systems intersect properly requires precise planning and implementation.

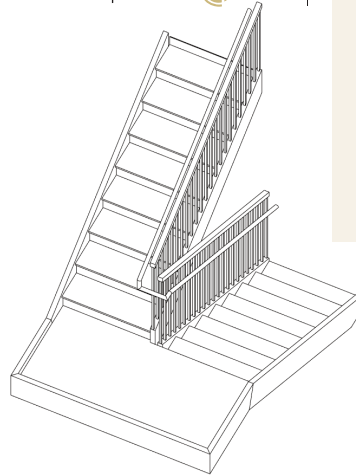
When a stairway must be shifted to accommodate riser, nose, etc. at the top it will impact headroom, openings at the bottom of the stair, landing width, and clear space at the base of the stair.



Now imagine two 'U' shaped stairways in the same well connecting three floors. Each stairway has three flights and two-quarter space (90 degrees) landings. The design requires a continuous handrail on top of the guard system with smooth transitions at each intersection. The complexity of determining the well dimensions is now best resolved through concurrence of each of the relevant fields of expertise during the preliminary stages of the design process to ensure an accurate and efficient plan.

The concurrent design process provides for early communication and access to the corporate expertise of all involved. Early communication facilitates a comprehensive process, which supports efficient builds that are code compliant and achieve aesthetic objectives. From the onset, each team member has a shared perspective of the design, how it is dependent upon their contribution, and a complete understanding of what is expected. Conflicts and challenges will be few, identified early, and, if necessary, easily accommodated into the final design and construction process. 

NOTE: To help support and facilitate concurrent stairway design, the Architectural Woodwork Institute (AWI) and the Stairbuilders and Manufacturers Association (SMA) have spent several years working together in the development of the AWI/SMA Standard 0643 for Wood Stair, Handrail, and Guard Systems. It is part of the AWI's suite of standards to be submitted for ANSI approval later this year. You can review a draft of the standard and find an abundance of great information about stairways, including the SMA's illustrated Visual Interpretation of the IRC Stair Building Codes at the SMA website, [www.stairways.org](http://www.stairways.org).



# SOLUTIONS

## SOLID WOOD TECHNOLOGY.

We deliver dependable solutions for manufacturing solid wood in a wide range of sizes and configurations. Our innovative solutions are designed to meet your requirements and guarantee a high quality finish under any working conditions.

 **BIESSE**

**VISIT US ONLINE**

آموزشگاه انعکاس منبع جدیدترین اطلاعات، مقالات و دوره‌های آموزشی دکوراسیون داخلی

 Enekas.Academy

 Enekas.Academy





# stand out.

Designing in wood produces beautiful, elegant and often exotic results. Results you want to share with the rest of the world. Put your designs in the limelight...by publishing them in **DESIGN SOLUTIONS**.

This award-winning publication features custom architectural woodwork in a variety of applications. Distributed to your peers throughout North America, **DESIGN SOLUTIONS** provides ideas and techniques to readers who appreciate the grandeur of architectural woodwork

To submit a project for publication:

- 1. Complete our convenient submission forms.**
- 2. Submit forms with color photography.**

We'll do the rest. However, the woodwork must be produced by a member firm of the Architectural Woodwork Institute. Projects of any size will be considered.

Submissions can be made at any time. Forms are available online at [awinet.org](http://awinet.org) or by request through AWI headquarters:

**Telephone: 571-323-3636**

**Fax: 571-323-3630**

 Architectural Woodwork Institute  
**design**  
solutions



آموزشگاه انعکاس منبع جدیدترین اطلاعات، مقالات و دوره‌های آموزشی دکوراسیون داخلی

 Enekas.Academy

 Enekas.Academy



# Product Showcase



## M. BOHLKE VENEER: Remote Veneer Log Inspection

M. Bohlke Veneer Corp. is operating a “Live Log Inspection” in which you can remotely view a veneer inspection via a live stream on your computer from work or home. The inspection can be recorded ahead of time and video files sent to you via the cloud for viewing at your leisure. In addition, you can also dial-in to a secure conference call with the M. Bohlke Corp. team. Real time conversations paired with photographs of wood veneer are good – real time conversations accompanied with live visuals are even better.

Livestreaming and watching a veneer log inspection video at your convenience provides the same control as if you were here: you are able to pause the inspection for closer views at grain structure, figure and color consistency, and you can request to see logs

a second time the moment you need to, or rewind and/or pause when viewing a recorded video. Both options, livestreaming and recorded video, are scheduled to make you feel as though you are in the room with us, even when you can't be, as we search for the perfect veneer for your project.

M. Bohlke Veneer carries over 150 species of indigenous and imported veneers. Crotches, burls and hard-to-find species are available in many cuts and figure types. Choose from flat, quarter, rift and rotary cuts that are graded to your specifications. Opt for custom thicknesses ranging from 0.4 - 3.0 mm. Attention to detail, consistent quality, vast selection and exceptional service makes us a cut above the rest.

To schedule your Live Log Inspection, visit [mbveneer.com](http://mbveneer.com) to learn more or call (513)-874-4400 | [sales@mbveneer.com](mailto:sales@mbveneer.com).

## 2020 INSIGHT: ERP Software Webinar

2020 is a well-established name in the kitchen and bath, and office furniture industries. More recently, 2020 entered the architectural millwork industry with 2020 Insight, an enterprise resource planning (ERP) solution. This business management solution allows organizations to manage all facets of their operation within one convenient system.

Working with architectural millwork and other project-based customers worldwide, 2020 has added new features to their already robust software solution that target the needs of the architectural millwork industry. Project management, estimating, time and cost tracking, service management and invoicing are some of the new features in 2020 Insight.



Request the webinar, 2020 Insight: ERP for Project-based Businesses and learn how you can use 2020 Insight to manage your project-based business from the bidding process through to installation. Save time, reduce cost and improve customer service with a fully integrated manufacturing ERP solution.

Contact 2020 at [2020insightsales@2020spaces.com](mailto:2020insightsales@2020spaces.com) or visit the website to learn more.

# 2020







# Horizon Forest Products

## CHEMCRAFT: Adds Horizon Forest Products to Network

AkzoNobel, manufacturer of the Chemcraft® brand of industrial wood coatings, announces that **Horizon Forest Products joined its growing distribution network.** AkzoNobel's Chemcraft Distribution Segment Manager, Ron Cooper, says, "Horizon Forest Products positions the Chemcraft brand in key North Carolina cities, with a loyal customer base that can now take advantage of our high-quality line of wood coatings. We are thrilled to have them in the Chemcraft family with product made at our High Point, North Carolina, site."

"Chemcraft is an industry leading brand that provides great innovation and product quality with market-leading customer support. We've been pleased with their commitment to sustainability in the wood industry, and we are excited to share their portfolio with our cabinet makers and wood product customers," says David Guistwite, cabinet branch leader for Horizon Forest Products.

Horizon Forest Products has been in business for more than 75 years with corporate office locations in Raleigh, North Carolina, and Richmond, Virginia, and 11 branch offices serving customers from Maryland to South Carolina along the East Coast of the United States, and in Texas, where a team of sales and technical professionals provides a full line of **lumber, sheet goods, cabinets, flooring, mouldings, abrasives, wood stains and coatings** for customers. Horizon Forest Products began its partnership with AkzoNobel and became a Chemcraft distributor in May 2020.

For more information, visit [horizonforest.com](http://horizonforest.com) and [chemcraft.com](http://chemcraft.com).

## COOPER ENTERPRISES: New Safety Products

Cooper Enterprises, Inc., a contract manufacturer of commercial wood and plastic components, is **now offering safety products: cashier shields, face shields and golf cart partitions in response to the Covid-19 pandemic.** These items can be purchased at the company's new online store at [cooperenterprises.com/shop](http://cooperenterprises.com/shop). Cashier shields, also known as countertop shields, are made of clear acrylic. This product is being installed in retailers and workplaces across the country to help avoid the spread of Covid-19. Cooper Enterprises offers four standard sizes.

Common applications include at check-out lanes, on reception desks and in meeting rooms. The face shields are made of PETG plastic and are comprised of the shield, head strap, foam and clip. The company's polycarbonate golf cart partitions separate the driver and passenger to help aid in social distancing. The partitions are attached to the cart with bungees. "We are happy to offer solutions to those who are preparing to reopen their businesses," says Rachel Brumenschenkel, marketing specialist. "All organizations are going



through major changes and must adhere to new safety standards to help protect their employees and customers. It was important for us to make acquiring these products as accessible as possible, which is why we launched our online store."

The company plans to offer more safety products to workplaces. More information can be found at [cooperenterprises.com/products/safety-products](http://cooperenterprises.com/products/safety-products).



## HÄFELE:

### Loox5 Lighting System

Häfele America is paving the way in furniture and cabinetry lighting with the unveiling of **Loox5—an LED lighting system** which is easier to install and infinitely smarter than the system it replaces. Providing greater flexibility in design and style, Loox5 features a significant increase in performance as well as an updated range of new, in-demand linear lighting options for designers, woodworkers and architects. Loox5, with its high-quality Samsung LEDs, shines with an extraordinary quality of light. The system is easily assembled and integrated in furniture and cabinet production all while being smart, easy-to-use and offering simple connectivity.

Loox5 offers **new, narrower LED strip lights** with increased lighting quality—a **guaranteed lifetime of 50,000 hours**; new profiles for recess and surface mounting applications available in a variety of designs and finishes; new modular and flexible distributor system to simplify planning and installation; and new drivers designed for 24/7 continuous operation. “With integrated lighting increasingly becoming a customer requirement in today’s furniture, cabinetry and other home environments, Häfele has raised the bar for our designer-and installer-friendly Loox LED lighting system,” says Jake VanWyk, lighting category manager for Häfele America Co.



Also included in the Loox5 debut is the all-new **Häfele Connect Mesh network solution** which takes smart options for lighting to a new level. Working in concert with the Häfele Connect Mesh app, users are able to operate and customize Häfele products throughout the home. The app is free and available for download on iOS and Android devices. Looking to the future, Häfele Connect Hub will work in concert with Amazon Alexa, Google Home and other similar devices so users will be able to customize and operate Häfele products throughout the home with voice activation. Through the connectivity between the Häfele BLEMesh Box and the wireless Häfele Connect Hub, users will be able to customize and control their sound system, Häfele Loox LED lighting, TV lifts and select cabinet flap fittings throughout the home all with voice activation. Dive into Loox5 and the Häfele Connect Mesh network solution on our YouTube channel.

## TRADESOFT, INC. : Cloud Seat Option

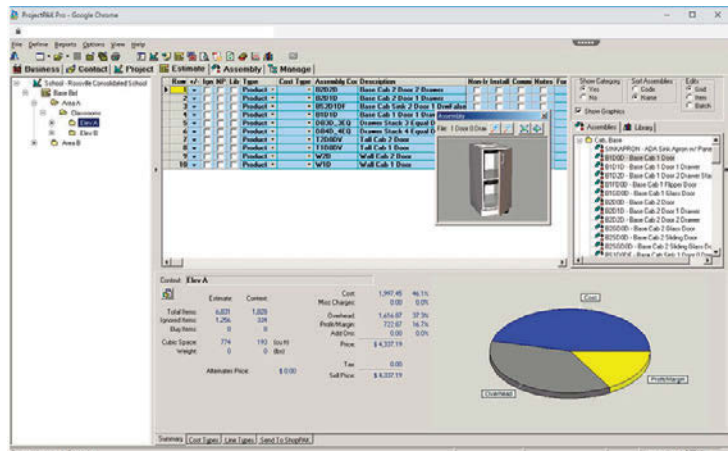
TradeSoft announces its new cloud seat option that works in concert with its on premise solution. In development for three years, TradeSoft customers can now access **ProjectPAK, ShopPAK, and Scoreboard** from a browser on any smart device. Customers will continue hosting their database locally on premise, but for employees that work from home or occasionally travel to job sites, the cloud option offers tremendous flexibility, ease of use, and often times, better performance than VPN or other remote desktop products.

**Switching between cloud and desktop versions is easy and completely seamless.**

Even though cloud users access ProjectPAK, ShopPAK, and Scoreboard via an internet browser, the applications look and act just like their Windows desktop cousins. This means users don’t have to learn two different interfaces.

TradeSoft offers cloud seats on a monthly or annual subscription basis. Cloud seats **can be shared** between team members just like desktop seats. This can translate into substantial savings. If remote users don’t need full time access, each part time user does not have to buy a seat. Cloud seat administration is easy and handled via our web site. Increase or decrease seat count as your needs change.

For more information visit [tradesoftinc.com](http://tradesoftinc.com) or call **800-289-6326**.





# AWI Manufacturing Members



Firms in BOLD with asterisk are LICENSED participants in the AWI Quality Certification Program as of the print date. For an up-to-date status go to [awiqcp.org](http://awiqcp.org).

## Alabama

- Cahalan Industries, Moody  
Leo Cahalan, 205-640-2779
- \* **CBW Cabinetry, Newton**  
Chris Woodham, 334-692-3600
- \* **Deas Millwork, Semmes**  
Zach Deas, 251-478-1060  
Fabrication Specialists, Inc, Mobile  
David Smith, 251-660-1080  
House of Cabinetry Inc, Dothan  
Bob Theune, 334-793-9502
- \* **Jimco Inc., Montgomery**  
Jason Hamm, 334-264-5032
- \* **Leonard Peterson & Company, Inc., Auburn**  
Randy Jensen, 334-821-6832
- \* **Luttrell Architectural Woodworks, Birmingham**  
Robert Luttrell, 205-324-3421
- \* **Phipps Cabinets Inc., Dothan**  
Matt Phipps, 334-983-4512
- \* **Remmert & Company, Tuscaloosa**  
Luke Remmert, 205-345-4800
- \* **SCSWORX, Madison**  
Olivia Pirtle, 256-461-8815
- \* **Southern Woodsmith, Inc., Pelham**  
Allen Ponder, 205-663-5299  
The Cabinet Shop, LLC, Mobile  
James Marlin, 251-607-0571

## Alaska

Casework Inc dba Pac West, Anchorage  
Diana Pavlo, 907-562-3168

## Arizona

- Architectural Millwork Design Inc., Phoenix  
Rod Laughlin, 623-492-9130
- \* **Arizona Custom Millwork & Contracting, Phoenix**  
Tamara Westfall, 602-254-6431  
Arizona Western Fixture & Display, Phoenix  
Pamela Narcy, 602-272-2170
- \* **Associated Construction Enterprises, Phoenix**  
Travis Brewer, 602-272-7055
- \* **Associated Woodworks, LLC, Phoenix**  
Gail Rochwalik, 602-397-4551  
BASC, LLC, Phoenix  
Ron Beveridge, 480-759-2959
- \* **Bizarre Wood Products, Glendale**  
Pat Brown, 602-377-4830

- \* **Blue Sierra, Inc., Tucson**  
Mynde Oetting, 520-624-3202
- \* **Crown Custom Millwork, LLC, Phoenix**  
Nancy Michalski, 623-879-8500  
Desert Millwork, Inc., Phoenix  
Randy Heller, 602-258-7517
- \* **European Techniques, Prescott**  
Marie Corkery, 928-776-9957
- \* **Exhibits Southwest LLC, Tempe**  
Dane Beem, 480-763-3333  
Furniture Concepts Ltd, Phoenix  
Mike Peters, 602-256-7023  
Indwell Woods, Inc., Phoenix  
Mark Snider, 602-268-9500  
Millwork by Design, Inc., Tucson  
Mark Rigg, 520-622-8656
- \* **Paul Wesley Construction, ACC, Mesa**  
Paul Waterford, 480-985-1901  
S & R Cabinetry & Builders LLC, Tucson  
Francisco Zapien, 520-807-7604  
Styles Brothers Custom Millwork, Inc., Glendale  
Shawn Styles, 623-931-3990  
Sun Valley Millwork, Inc., Phoenix  
Rick Rago, 602-352-6636  
The Great Organization, Inc., Scottsdale  
Nicole Gordon, 480-998-1522
- \* **Western Millwork, Inc., Phoenix**  
Bill Roach, 602-233-1921

## Arkansas

- \* **Crawson Corporation, Fort Smith**  
Gary Kindy, 918-427-8400
- \* **Custom Millwork, Div. of CDI Contractors, Maumelle**  
Donnie Green, 501-851-4421  
Estes Wood Designs Inc, Bentonville  
Brandon Estes, 479-273-2974  
Nabholz Custom Millwork, Conway  
Jonathan Davis, 501-505-5800

## California

- Barbosa Cabinets, Inc., Tracy  
Jonathan Adams, 209-836-2501  
Bromack Manufacturing Inc., Los Angeles  
Kurt Webster, 323-227-5000
- \* **Caseworx Inc., Redlands**  
Bruce Humphrey, 909-799-8550  
Complete Millwork Services Inc., Santa Clara  
David Becher, 800-382-7486

- East Bay Fixture Company, Oakland  
Tony Tahn, 510-652-4421  
Elite Wood Design, Rancho Cordova  
Dave Gwiazdon, 916-853-2002  
Fineline Architectural Millwork, Costa Mesa  
Marc Butman, 714-540-5468  
J3 Products Group, Santee  
Jay Lewis, 619-988-5291  
Millwork Brothers Inc, Cerritos  
Jesus Panagakos, 562-802-0210  
Millworks by Design, Simi Valley  
Dan Parish, 818-597-1326  
Mission Bell Mfg. Company Inc., Morgan Hill  
Glenn Ripley, 408-778-2036  
Montbleau & Associates, Inc., San Diego  
David George, 619-263-5550
- \* **Plastic Tops, Inc., La Habra**  
Ray Cerulli, 714-738-8128  
Quality Cabinet & Fixture Co., San Diego  
Jackie Fessenbecker, 619-266-1011  
Raposo Woodworks, Sebastopol  
Anthony Raposo, 707-780-2912
- \* **The Wood & Iron Factory, Inc, San Diego**  
Norberto Gutierrez, 619-710-1660  
Wall Panel Systems, Inc., Redlands  
Chuck Mc Coy, 909-307-8888

## Colorado

- Ark Woodworks, Inc., Brighton  
Nasser Haji-Sarvestani, 303-655-0051  
BKFine, Brighton  
Bruce King, 720-382-2410
- \* **Cab-Con Enterprises, Inc., Colorado Springs**  
Mike Perdue, 719-382-5649  
Colorado Arch. Millwork Supply, Colorado Springs  
Darryl Bryant, 719-477-9939  
Colorado Custom Millwork, Glenwood Springs  
Jeremy Johnson, 970-945-6857
- \* **Concepts in Millwork, Inc., Colorado Springs**  
Scott Robinson, 719-570-7353  
Dakota Ridge Const, Englewood  
Leith Brayer, 303-915-8509
- \* **Delta Cabinet Company, Inc., Delta**  
Gary Kensler, 970-874-8793  
E & J Cabinets, Arvada  
John Peterson, 303-425-7527  
International Custom Wood Work, Commerce City  
Rolando Lopez, 720-382-4235



J & M Custom Cabinet Shop, Inc., Denver  
Julio Estrada, 303-853-9767

\* **JK Concepts, Inc., Denver**  
Margery Johnson, 303-571-0672

\* **L.A. Woodworks, Inc., Windsor**  
Leo Arellano, 970-482-4200

Modern Fixture Company, Inc., Denver  
Joseph Seegmiller, 303-289-2921

\* **Osburn Cabinets & Design, Grand Junction**  
Chad Brandon, 970-242-6899

Quality Custom Woodwork, Inc, Pueblo  
Cheri Bucciarelli, 719-546-0324

\* **Rails Plus Inc., Englewood**  
Ishmael Moreno, 303-777-7914

Shavano Woodworking Inc., Montrose  
Rafe Jones, 970-252-8315

Trustile Doors LLC, Denver  
Chuck Tamblyn, 303-286-3931

\* **Unique Woodworking, Denver**  
Bret Kaup, 303-573-3966

\* **USA Millwork, Denver**  
Ted Rosiere, 303-438-1612

Villarreal Rasmussen Cabinetmakers, Carbondale  
David Rasmussen, 802-236-2677

Watson Mills and Design LLC, Lafayette  
Todd Palmer, 303-666-6069

Woodcraft Unlimited, Inc., Denver  
Tom Goulet, 303-778-9103

## Connecticut

\* **A. Secondino & Son, Inc., Branford**  
Alfred Secondino, 203-481-3496

\* **AGA Millwork LLC, Southington**  
Krzysztof Kolodziejczyk, 860-426-9901

Amerifix, West Haven  
Richard Moore, 203-931-7290

Atlantic Millwork, North Haven  
Mark Bolling, 203-248-1969

\* **Barco/American Wood Products, North Haven**  
William Geremia, 203-248-4433

\* **Bergan Architectural Woodworking, Middletown**  
Richard Bergan, 860-346-0869

\* **Connecticut Casework Specialists, LLC, Shelton**  
Louis M Cutaneo Jr, 203-606-4459

Curtiss Woodworking, INC, Prospect  
Dale Curtiss, 203-527-9305

\* **CWC Architectural Woodworking, Inc., Bristol**  
Todd Schultz, 860-585-6396

\* **Desco Professional Builders Inc., Ellington**  
Robert Anderson, 860-870-7070

Fairfield County Millwork, Bethany  
John Ianiri, 203-393-9751

\* **Legere Group, Ltd., Avon**  
Craig Froh, 860-674-0392

\* **Madigan Millworks, Unionville**  
Matthew Madigan, 860-673-7601

Modern Woodcrafts, LLC, Plainville  
Lisa Pelletier- Fekete, 860-677-7371

Petra Construction Corporation, North Haven  
Guido Petra, 203-865-6043

\* **Pursuit Construction, Essex**  
Jacob Ertel, 860-617-8219

White Dog Woodworking, LLC, Torrington  
Thomas Officer, 860-482-3776

\* **Zavarella Woodworking, Newington**  
Debbie Zavarella, 860-666-6969

## Delaware

Delaware Millwork LTD., Middletown  
Fran Hoffman, 302-376-8324

\* **GTI Millwork, Wilmington**  
Ryan Moore, 302-658-4158

Mark of Excellence, Hockessin  
Mark Iverson, 302-633-3450

The Eagle Group, Inc., Clayton  
Christopher Field, 302-653-3000

## District of Columbia

\* **Columbia Woodworking Inc., Washington**  
Brad Long, 202-526-2387

## Florida

1050 Commercial Arch. Woodworking, Boca Raton  
Mark Noell, 561-391-3103

\* **Adams Group, North Port**  
Ethan Adams, 941-639-7188

Advanced Millwork, Inc., Orlando  
Tom McDonald, 407-294-1927

\* **Advanced Woodworking Industries, Oakland Park**  
Thomas Hoover, 954-634-3100

\* **Akira Wood, Inc., Gainesville**  
Hoch Shitama, 352-375-0691

Andy's Cabinets and Millwork Inc., Tallahassee  
Andy Mohnney, 850-562-3536

Artisanbilt Construction, Inc, Valparaiso  
Ken Rodgers, 850-226-2001

\* **Atlantic Custom Woodcraft Corp., Odessa**  
Trevor Haughey, 727-645-6905

\* **AWS Carpenter Contractors, Inc., Clearwater**  
Ken Schroeder, 813-855-1006

Baron Manufacturing, Pompano Beach  
Hasu Gavan, 954-590-3800

Blumer & Stanton, Inc., West Palm Beach  
Marcille Irwin, 561-585-2525

Cabinet Design and Construction, Pensacola  
Matthew Hinson, 850-393-9724

CFF - Central Florida Furbishing, Orlando  
Richard Vincik, 407-281-1135

Coastal Millworks, Inc., Riviera Beach  
John Maffett, 561-881-7755

\* **Commercial Millworks Inc., Orlando**  
Gayle King, 407-648-2787

Commercial Wood Designs, Inc., Sanford  
J. Fernandez, 407-302-9063

Corry Cabinet Company, Inc., Havana  
Henry Corry, 850-539-6455

Craftsmen Specialist of NW Florida, Pensacola  
Taylor Fagan, 850-944-1311

\* **Creative Concepts Of Orlando Inc., Longwood**  
Wayne Bishop, 407-260-1435

Curry Cabinetry, Inc., Tampa  
Bryan Curry, 813-321-3650

D.R. Nickelson & Co., Lake City  
Dale Nickelson, 386-755-6565

Dan Dennis Builder's Inc., Fort Lauderdale  
Dan Dennis, 954-658-5285

DBR Inc., Orlando  
Richard McCree, Jr., 407-898-4821

\* **Dew - Well Industries, Inc., Dade City**  
Sandra Grimes, 352-567-3153

\* **Distinct Designs Custom & Commercial Casework, Largo**  
Bill Kratimenos, 727-530-0119

Distinctive Kitchens & Bath DBA Dist. Millwork, Boca Raton  
Butch Coleman, 561-864-0142

Doerr Custom Cabinets & Trim, Saint Augustine  
Russ Doerr, 904-342-2791

EMI Industries LLC, Tampa  
Peter Schaller, 813-626-3166

\* **FCC Cabinets, Jacksonville**  
Shaun Keves, 904-378-8536

Federal Millwork Corporation, Fort Lauderdale  
Richard Ungerbuehler, 954-522-0653

\* **Fisher Cabinet Company, LLC., Pensacola**  
Scott Fisher, 850-944-4171

Five Star Millwork, Pompano Beach  
William Santana, 954-956-7665

Florida Architectural Millwork, Leesburg  
Peter Karapiperis, 352-435-7257

Harwil Fixtures, Inc., Hastings  
Louis Cici, 904-692-1051

\* **Hollywood Woodwork, Hollywood**  
Sebastien DesMarais, 954-920-5009

J&J Millwork, Sanford  
Kevin Cook, 407-324-2331

\* **J.V. Installations Corp., Orlando**  
Stewart Vargas-Sosa, 407-849-0262

J2 Cabinetry and Trim, LLC., Ocala  
Jeff Clack, 352-629-1700

Kabinets By Kinsey, Inc., Tampa  
Chuck Kinsey, 813-222-0460

Keane Architectural Woodwork, Coconut Creek  
Ellen Kosmajac, 954-574-9915







Firms in BOLD with asterisk are LICENSED participants in the AWI Quality Certification Program as of the print date. For an up-to-date status go to awiqcp.org.

List Industries Inc., Deerfield Beach  
Boyd Wedin, 352-376-4732

- \* **Lyndan, Inc., Tampa**  
Dana Guy, 813-977-6683
- Max Urban, Pompano Beach**  
Steve Miller, 954-972-0100
- Melbourne Architectural Millwork Co., Melbourne**  
Thomas Soyk, 321-308-3297
- \* **Mesh Fabrication, Saint Petersburg**  
Gary Grooms, 727-823-3760
- \* **Mill-Rite Woodworking Co., Inc, Pinellas Park**  
Jennifer Clark, 727-527-7808
- \* **Millwork 360, LLC, Tampa**  
Mike Williams, 813-854-3100
- MJR Woodworks LLC, Apopka**  
Jason Ryan, 407-403-5430
- Montgomery Cabinetry Company, Fort Myers**  
Paul Montgomery, 239-931-6064
- Palm Beach Trim, Lake Worth**  
Rick Williams, 561-588-8746
- Peace Millwork Co., Inc., Miami**  
George Peace, 305-573-6222
- \* **Pearcy Cabinetry, Inc, Apopka**  
Paul Percy, 407-292-1406
- Periwinklers, LLC, Tarpon Springs**  
Lois Snyder, 727-410-0263
- Rich Maid Cabinets Inc., Clearwater**  
Douglas Roach, 727-572-4857
- \* **Riverview Millworks, Inc., Jacksonville**  
Charles Nichols, Jr., 904-764-9571
- Royal Cabinetry & Millwork, Hialeah**  
Ed Garcell, 305-696-8329
- \* **SMI Cabinetry, Inc., Orlando**  
Michelle Hull, 407-841-0292
- Spacewerks, Inc, Clearwater**  
Kenneth Yeager, 727-540-9714
- Star Quality, Inc., Tampa**  
Max Sanchez, 813-875-9955
- \* **Superior Millwork Company, Jacksonville**  
Francis Polly, 904-355-5675
- Woodchuck Industries, Orlando**  
Chuck Walczak, 407-295-9900
- Woodlane Cabinet Company, Tallahassee**  
Michael Hewitt-Brown, 850-562-0491

## Georgia

ALKMY, LLC, Norcross  
Ryan Bloch, 404-474-0100

- \* **Artisan Millworks, LLC, Dawsonville**  
Arthur Murray, 706-216-1050

**Augusta Cabinets & Casework, Evans**  
Phillip Boone, 706-814-4540

**Augusta Sash & Door Sales of GA Inc., Evans**  
Bob Dehner, 706-738-1447

- \* **Bridges Wood Products, Inc., Savannah**  
Glenda Gunby, 912-897-2694
- \* **Cabinets by Design, LLC, Duluth**  
David Jones, 770-418-1200
- Century Caseworks, Lawrenceville**  
Tim Miller, 770-338-2501
- \* **Columbus Cabinet Co., Inc., Columbus**  
Jay Blankenship, 706-561-6497
- \* **Commercial Bank & Business Eqpt, Woodstock**  
Joe Schieber, 770-924-1242
- \* **Commercial Cabinetry of Georgia, Lawrenceville**  
Joe Byrd, 770-466-1805
- Commercial Casework Industries, Dacula**  
Eric Jenkins, 770-271-8280
- Connell Cabinets & Millworks Inc, Lakeland**  
Kathy Parker, 229-482-3037
- \* **Division 6 dba Royal Custom Cabinets, Norcross**  
Amir Nejad, 770-263-8088
- H&H Regional, DBA Atlanta Casework Systems, Cumming**  
Marty Hammond, 770-887-4766
- Kinnane Woodworking Inc., Atlanta**  
Paul Kinnane, 404-758-5951
- \* **Malone Design / Fabrication, Decatur**  
Elizabeth Tuttle, 770-593-7279
- \* **Mortensen Woodwork Inc., Union City**  
Fred Mortensen, 770-969-1475
- Professional Casework & Millwork, Suwanee**  
Chris Askew, 833-907-7626
- \* **Raydeo Enterprises, Inc, Ball Ground**  
Preston Byers, 770-720-1100
- RWP, Inc, Jesup**  
Michael Laidlaw, 912-427-4499
- \* **South Georgia Cabinet Co Inc, Ray City**  
Thomas Clayton, 229-455-5800
- \* **Welbornhenson, Inc., Atlanta**  
Rebecca Kenton, 404-523-9277
- \* **Williamson Millworks, Inc., Savannah**  
Robin Grenchik, 912-964-2290
- Willingham Partners, LLC, Macon**  
Brian Smith, 478-743-2642
- \* **Woodtec Millwork Inc., Jefferson**  
David Boring, 706-367-0617

## Hawaii

**Bruce Matson Company, Inc., Honolulu**  
Brent Matson, 808-380-9414

## Idaho

- \* **Advanced Custom Cabinets, Hayden**  
Joe McCormick, 208-772-2377
- \* **Beck Cabinet Company, Coeur D Alene**  
Mike Beck, 208-664-0892
- \* **Bledsoe Cabinets, Nampa**  
Anna Webster, 208-433-0033
- \* **Candela Construction - Interior Finishes Division, Hayden**  
Joseph Martin, 208-661-5720
- \* **Johnson Brothers Planing Mill Inc., Idaho Falls**  
David Sargis, 208-522-3674
- \* **Pacific Cabinets, Inc., Ferdinand**  
Steve Frei, 208-962-5546
- \* **Swainston Mill & Cabinets, Inc., Preston**  
Alex Swainston, 208-852-2730

## Illinois

- Amberleaf Cabinetry, Chicago**  
Jim Wong, 312-493-6005
- \* **Americian Designs, Inc., Chicago**  
Bill MacWilliams, 773-542-1291
- \* **Bernhard Woodwork, Ltd., Northbrook**  
Mark Bernhard, 847-291-1040
- Cain Millwork, Inc., Rochelle**  
Daniel Levin, 815-561-9700
- \* **Cervantes / Salgado Arch. Woodworking, Montgomery**  
Eduardo Salgado, 630-299-3374
- Demeter Millwork, Chicago**  
Aash Desai, 312-224-4440
- George J. Rothan Co., Peoria**  
Kevin Bowman, 309-674-5189
- GreatLakes Architectural Millworks, Chicago**  
C. O'Donnell Winchester, 312-829-7110
- Heartland Cabinet Supply, Inc, Crystal Lake**  
Gary Reece, 815-477-0900
- \* **Heritage Restoration and Design, Inc., Peoria**  
Stephen Berlinger, 309-637-5404
- Herner-Geissler Woodworking, Chicago**  
Rebecca Dittmer, 312-226-3400
- \* **Imperial Woodworking Company, Palatine**  
Frank Huschitt, Jr., 847-358-6920
- Inter Ocean Cabinet Company, Elmhurst**  
Ken Kamien, 630-930-5770
- J&J Woodwork Furniture, Bedford Park**  
Jakub Skwarek, 708-563-9581
- \* **KBI Custom Case, Inc., Hebron**  
Janice LeTourneau, 815-648-4940
- Living Laminates, Maple Park**  
Anthony Medina, 847-741-2004
- Mac Medical, Belleville**  
Jim Gibney, 618-476-3550
- Majestic Architectural Woodwork, Bellwood**  
Pat Montalbano, 708-240-8484



Marshall Furniture Inc, Antioch  
Michelle Wille, 847-395-9350

Meilahn Manufacturing Co., Chicago  
Terry Testa, 773-581-5204

New Style Cabinets, Chicago  
Margaret Noga, 773-622-3114

\* **Onsite Woodwork Corporation, Loves Park**  
Joy Peterson, 815-633-6400

\* **Parenti & Raffaelli Ltd., Mt Prospect**  
Robert Parenti, 847-253-5550

\* **Phoenix Woodworking Corporation, Woodstock**  
Sandra Pierce, 815-338-9338

Premier Woodworking Concepts, Woodstock  
Dean Lukey, 815-334-0888

\* **Redbud Ridge Custom Shop, Inc., Bartonville**  
Patrick Ruder, 309-633-1173

Roecker Cabinets and Millwork, Morton  
Mike Matthews, 309-222-8300

Romar Cabinet & Top Company Inc, Channahon  
Laurie Pillion, 815-467-9900

Siteline Interior Carpentry, Inc., Chicago  
Thomas Frangella, 708-388-1920

Sprovieri's Custom Counters, Addison  
Liz Ingebrigtson, 630-543-3400

Starved Rock Wood Products, Mendota  
Dave Steensland, 815-538-7797

\* **Stevens Industries, Teutopolis**  
Jordan Niebrugge, 217-540-3100

Vermillion Millworks, dba T.H. Snyder Co., Danville  
Brad Irle, 217-446-8443

\* **WKI, Harrisburg**  
Blake Wilson, 618-253-7449

\* **Wm. Huber Cabinet Works, Chicago**  
Daniel Huber, 773-235-7660

## Indiana

\* **Advanced Cabinet Systems, Marion**  
Philip Bowers, 765-677-8000

Antreasian Design, Inc., Indianapolis  
Mark Antreasian, 317-546-3234

BC Countertops, Indianapolis  
Ed Lough, 317-637-4427

Big C Lumber Company, Fort Wayne  
Tim Lange, 260-422-5584

Brownsburg Custom Cabinets, Inc., Brownsburg  
Robert Overman, 317-271-1887

Chisholm Architectural Millwork, Indianapolis  
Doug Chisholm, 317-547-3535

D&L Wood Products, Inc., Crown Point  
Adam Ligda, 219-662-9177

\* **Euronique Inc., Elberfeld**  
Scott Hasenour, 812-983-3337

\* **Fredericks, Inc., Pendleton**  
Chad Colip, 765-778-7588

Fuller Architectural Hardwoods, Daleville  
Adam Fuller, 765-610-1345

Heartwood Manufacturing, LLC., Batesville  
Joe Meyer, 812-934-5920

Interior Fixtures & Millwork Inc, Knightsville  
Ray Jones, 812-446-0933

Koetter Woodworking, Borden  
Carol Phillips, 812-923-4500

\* **Kramer Furniture and Cabinet Makers, Inc., Edinburg**  
Polly Kramer, 812-526-2711

\* **LUE Manufacturing Corp., Wakarusa**  
Steve Gongwer, 574-862-4249

\* **MARC Woodworking Company, Indianapolis**  
Joseph Hirsch, 317-635-9663

Meyer Custom Woodworking, Inc., Dubois  
Steven Meyer, 812-695-2021

Midwest Cabinet Solutions, Inc., Marion  
JP Jones, 765-664-3938

Myers Cabinets, Inc., Whitestown  
Roy Myers, 317-769-5323

One Source Fabrication LLC, South Bend  
David Rafinski, 574-232-4388

P. R. Bean Co. LLC, Washington  
Jeremy Bean, 812-254-3761

Precision Wood Products, Mishawaka  
Gary Matt, 574-255-7141

Signet Millwork LLC, Sellersburg  
Kim Dawson, 812-248-0612

The MDC Group, Noblesville  
Richard Sims, 317-776-1463

Wood Specialties by Fehrenbacher, Evansville  
Chris Fehrenbacher, 812-963-9414

Wood Technologies LLC, Grabill  
Lydiann Lengacher, 260-627-8858

## Iowa

A.F. Johnson Millwork Co., West Des Moines  
Lyn Lyon, 515-277-7222

\* **Architectural Arts, Des Moines**  
Jim Broich, 515-265-4441

\* **Calmar Manufacturing Co., Inc., Calmar**  
Frank Huschitt, 563-562-3261

\* **Custom Woodworks, Ltd., Sioux City**  
Mark Gingery, 712-252-4357

Dras Cases, Lake Mills  
Tim Krebsbach, 641-592-3333

Fletcher Wood Products, Fort Dodge  
Danny Fiferlick, 515-573-2021

G.C. Woodworking Inc., Ames  
Greg Clouser, 515-232-0423

\* **McComas-Lacina Construction, Iowa City**  
Mike Manfull, 319-338-1125

MFI, LLC, Winterset  
Preston Dolezal, 515-462-4965

Notch & Nail, LLC, West Des Moines  
Brenden Hannah, 515-778-8284

\* **Performance Display & Millwork, Grimes**  
David Lewis, 515-986-0156

\* **RCS Millwork, L.C., Ankeny**  
Dan Keller, 515-289-3787

Robertson Manufacturing, Inc., Davenport  
Guy Robertson, 563-322-7500

\* **The Horizon Group, Inc., Davenport**  
Neil Hamilton, 563-391-1891

\* **VT Industries, Inc., Holstein**  
Ann Duebner, 800-827-1615

Woodcrafters, Marion  
Scott Grekoff, 319-373-6279

## Kansas

Allen Millwork Company, Wichita  
Jerry Allen, 316-943-5151

\* **Blake Clotia, Wichita**  
Naaman Ritchie, 316-263-9722

\* **Cabinetry & Millwork Concepts, Inc., Topeka**  
Jim Ziegler, 785-232-1234

CCM Countertop & Cabinet Mfg. Co., Wichita  
Brent Traylor, 316-554-0113

\* **Griffith Lumber Company, Inc., Saint Marys**  
Robert Nixon, 785-776-4104

\* **Highland Millshop, Topeka**  
Brandon Haberman, 785-232-9328

\* **Kitchens Inc., Dodge City**  
Scott Bogner, 620-225-0208

MB Cabinetry, Andover  
Paul McGinness, 316-303-4722

\* **Midwest Cabinet Co., Inc., Ottawa**  
Robert Howell, 785-242-8181

\* **S.B.K. Supply & Millwork Co., Wichita**  
Bob Schwarzenberger, 316-942-0911

\* **Salina Planing Mill, Inc, Salina**  
Steve Dunning, 785-825-0588

Technique Manufacturing Inc., Hutchinson  
Ted Robinson, 620-663-6360

\* **Timberline Cabinetry and Millwork, Manhattan**  
Kent Swinson, 785-323-0206

Woodwork Manufacturing & Supply, Hutchinson  
Rick Mitchell, 620-663-3393

## Kentucky

Bargains Unlimited DBA Adams Cabinetry, Louisville  
Clem Adams, 502-589-9500

Bluegrass Custom Cabinets, Louisville  
George Morsman, 502-994-6112

\* **Corman & Associates Inc., Lexington**  
Bill Nave, 859-233-0544

\* **Four Stone Mill and Casework, Louisville**  
Keith Monsour, 502-451-1528





Firms in BOLD with asterisk are LICENSED participants in the AWI Quality Certification Program as of the print date. For an up-to-date status go to awiqcp.org.

- \* **Harleywood Productions, LLC, Corbin**  
Ray White, 606-528-1903
- \* **Leininger Cabinet & Woodworking, Lexington**  
John Leininger, 859-252-0429  
Lexington Laminates Plus Inc, Lexington  
Robert Wheeler, 859-233-7655  
Louisville Lumber & Millwork, Louisville  
Susan Boyd, 502-459-8710
- \* **Morgan Smith Industries, LLC, Louisville**  
Andy Keith, 270-384-0068
- \* **Smith's Laminating Shop, Mount Washington**  
Dwayne Endicott, 502-957-5151  
Southern Solutions LLC, Nicholasville  
Pat Caudill, 859-339-6881
- \* **Stidham Cabinet, Inc., Corbin**  
James Stidham, 606-528-3648

## Louisiana

- \* **Bayou Wood Products, Inc., West Monroe**  
Steven Tippen, 318-397-0000
- \* **Brian A. Hebert Woodworks, Inc., Lafayette**  
Donna Matte, 337-984-2461  
C & C Millworks, Inc., Baton Rouge  
Cory Theriot, 225-273-1258  
Cabinets by Perrier, Harahan  
David Perrier, 504-733-3139  
Central City Millworks LLC, New Orleans  
Stan Walker, 504-899-1351  
Custom Cabinet Specialties LLC, New Orleans  
Dale Smith, 504-733-0220  
Douglas Cabinet Co., Inc, Ruston  
Pete Hancock, 318-768-2675
- \* **Gator Millworks, Denham Springs**  
Chad Foster, 225-667-7758
- \* **Gretna Cabinet Company, Inc., Marrero**  
Kerry Martin, 504-348-8232
- \* **Gulf Coast Woodwork LLC, Lafayette**  
Deke Broussard, 337-232-4987
- \* **Hanley Gremillion Millwork & Supply, Alexandria**  
Claire Weeks, 318-443-1202
- \* **JJ Concepts, dba Superior Millworks, Denham Springs**  
Bret Mounce, 225-928-9436
- \* **Orleans Custom Millwork, LLC, Mandeville**  
Eddie Hartson, 985-246-1300
- \* **Picardie Timber Frame, llc, New Orleans**  
Christina Worms, 504-587-9194  
Specialty Furniture & Design, Deridder  
Errol Unruh, 337-463-6918

- \* **Superior Woodwork and Trim LLC, Deridder**  
Alex Quebedeaux, 337-226-9787
- \* **The Cabinet Shoppe, Thibodaux**  
Irving Kliebert, 985-446-9100
- \* **Woodward Millwork Group, Covington**  
Danielle Rauch, 985-871-7723

## Maine

- Hewes & Company, Blue Hill  
Michael Overton, 207-374-2275
- \* **Pond Cove Millwork, Inc., Saco**  
Peter Flarity, 207-773-6819
- \* **Trico Millwork Inc., Limington**  
David Baker, 207-637-2711  
Veneer Services Unlimited, Sanford  
John Costin, 207-459-7221
- \* **Windham Millwork, Windham**  
Bruce Pulkkinen, 207-892-3238  
YFI Millwork, Cape Neddick  
Glenn Farrell, 207-363-8053

## Maryland

- \* **Baker & Kerr, Inc., Upper Marlboro**  
Dave Baker, 301-390-1090  
Blair Construction L.L.C., Millersville  
James Blair, 410-729-0777
- \* **Brunswick Woodworking, Ijamsville**  
Steve Harris, 301-874-4905
- \* **Cabinet Max Corp, Baltimore**  
Ken Gretz, 410-265-9026
- \* **Cafe Millwork LLC, Baltimore**  
Cheryl Nichols, 202-306-7330  
Cherryworks Ltd., Kingsville  
Angela Courtalis, 410-592-5977  
Chesapeake Millworks, Dunkirk  
Jim Hardy, 301-855-6700
- \* **Chesapeake Woodworking, Baltimore**  
David Schreiber, 410-276-1060
- \* **D & S Millwork, Inc., Lanham**  
Bernardo Ahlborn, 301-937-4244  
Display Craft Mfg. Co., Halethorpe  
Todd Weitzman, 410-242-0400
- \* **G.T. Brothers, Inc., Westminster**  
Christy White, 443-605-1345
- \* **Grizz Custom Cabinets, Inc., Forest Hill**  
Robin Matthews, 410-420-3510  
J. Miles Construction, LLC, District Heights  
Jason Miles, 240-393-4112
- \* **Maryland Millwork Inc., Hagerstown**  
Tim Myers, 301-733-4600  
National Custom Millwork Inc., Beltsville  
Donald Castro, 301-595-4448

- \* **New Era Custom Design & Cabinet Works, Frederick**  
Johnny Gage, 301-695-4310
- \* **Specified Woodworking Corp., Laurel**  
Duane Gross, 301-598-8200
- \* **The Washington Woodworking Co., LLC, Landover**  
Frankie Jordan, 301-341-2500
- \* **Wood Creations Inc., Owings**  
John Downing, 301-855-7986
- \* **Worcester Eisenbrandt, Inc., Baltimore**  
Kirk Sylvester, 410-644-6580

## Massachusetts

- Alpha Builders, DBA Sterling Arch. Millwork, Springfield  
Fotis Gazis, 413-732-2131  
Blessington Corporation, Gardner  
Bruce Blessington, 978-632-6500
- \* **Blue Hive Inc., Worcester**  
Glenn Martin, 508-581-9560  
Davis Architectural Woodworking, Inc, Boston  
Earl Davis IV, 617-275-8069  
Interex, Amesbury  
Michael Ferrantino, 978-388-8755  
J.C. Clocks Company, North Dartmouth  
Aguinaldo Correia, 508-998-8442  
J.H. Klein Wassink & Co., Inc., Concord  
John Wassink, 978-369-3471  
Jules Gourdeau, Inc., Beverly  
Monique Jalbert, 978-922-0102  
Kochman Reidt and Haigh Inc., Stoughton  
Maureen Simoes, 781-341-4313
- \* **Mark Richey Woodworking, Newburyport**  
Mark Richey, 978-499-3800
- \* **Mass Cabinets, Inc., Methuen**  
Mike Sarno, 978-738-0600  
National Millwork, Mansfield  
Erick Masaitis, 508-269-5023  
New England Caseworks, Inc., Woburn  
Matthew Teal, 781-932-9980  
Old Colony Cabinets Inc., Stoughton  
Julie Edwards, 781-341-2244  
Padco Inc., Worcester  
Joseph Padavano, 508-753-8486  
Ponders Hollow Custom Moulding & Flooring, Westfield  
Gerald Lashway, 413-562-8730  
Shaw Woodworking Inc., Cotuit  
James Shaw, 508-563-1242
- \* **South Shore Millwork, Inc., Norton**  
Jeffrey Burton, 774-225-6300
- \* **Valiant Industries, Inc., Amesbury**  
R. Ward Osgood, 978-388-3792  
VCA Inc., Northampton  
Deborah Daniell, 413-587-2750



Watson Brothers LLC, Middleton  
Cathleen Young, 978-774-7677

\* Westek Architectural Woodworking, Westfield  
Bruce Scheible, 413-562-6363

Windsor Architectural Woodworking, Malden  
Michael Moscaritolo, 781-324-9600

\* Woodcraft Designers & Builders, Canton  
Lukasz Wasiak, 508-584-4200

\* Wright Architectural Millwork, Northampton  
Michael Buell, 413-586-3528

Young's Woodworking Inc., Amesbury  
Karen Young, 978-834-9028

## Michigan

Advantage Millwork - Division of D & D  
Building, Wyoming  
Jim Keuning, 616-248-7908

Allen Bradley Interiors Inc., Rhodes  
Brian Allen, 989-689-4133

BJC Services Inc, Chesterfield  
Brandon Jennings, 586-783-4559

Bourne Industries Inc., Corunna  
Jeffrey Walters, 989-743-3461

\* Britten Woodworks, Interlochen  
Jeremy Hoxie, 231-275-5457

\* Case Systems, Midland  
Thomas Bauer, 989-496-9510

Daiek Woodworks, Bruce Twp  
John Daiek, 586-268-1144

Division 6 Fabrication & Installation, Warren  
Zach Potance, 586-576-7059

G.I. Millwork Inc., Plymouth  
John Malcom, 734-451-1100

Grand Valley Wood Products, Wyoming  
Shawn Hager, 616-475-5890

\* Great Lakes Stainless, Inc., Traverse City  
Michael DeBruyn, 231-943-7648

Handorn, Inc., Grand Rapids  
Seth Erlandson, 616-241-6181

Harbor Industries, Grand Haven  
Brock Mahler, 616-842-5330

Haworth, Inc., Holland  
Neal Sturuss, 616-393-3000

Iannuzzi Millwork Inc., Fraser  
Dominic Iannuzzi, 586-285-1000

MOD Interiors Inc., Ira  
Matthew Gaglio, 586-725-8227

Modern Millwork, Inc., Wixom  
Jeff Weinger, 248-347-4777

National Specialty Contractors, LLC, Ypsilanti  
Carl Paine, 734-985-2371

NUCRAFT Furniture, Comstock Park  
Kelly Prielipp, 616-328-8307

SmithMade, Shelby Township  
Shayn Smith, 586-991-0445

Steelcase Inc., Grand Rapids  
Ashley Greer, 616-328-7277

\* Strata Design, Traverse City  
Tyler Cerny, 231-929-2140

\* Trend Millwork LLC., Lincoln Park  
Brian Zuccaro, 313-383-6300

## Minnesota

Andersen Cabinet, Inc., Saint Paul  
Richard Andersen, 651-777-5377

Artifex Millwork Inc., Wyoming  
Brian Miller, 651-462-5137

Commercial Fixtures Inc., Saint Paul  
Jeff Stcynske, 651-628-9199

CTB Inc, Wyoming  
Kevin Stachowski, 651-462-3550

Damschen Wood, Inc., Hopkins  
Daniel Damschen, 952-933-3600

Distinctive Cabinet Design, Foley  
Joe Fradette, 320-968-4351

Focal Point Fixtures Inc., Saint Cloud  
Scott DeMarais, 320-203-1100

\* Goebel Fixture Company, Hutchinson  
Matthew Field, 320-587-2112

Hansen & Company Woodworks, Saint Joseph  
Adam Hansen, 320-363-0051

Interior Components Group Inc., Saint Cloud  
Corey Hanson, 320-230-9525

Interscapes, Brooklyn Center  
Ron Lyrek, 612-522-5009

Janish Wood Products, Inc., Ham Lake  
Kenneth Janish, 763-434-9090

Madsen Fixture & Millwork, Inc, Forest Lake  
Jeffrey Trippe, 651-982-6220

Minncor Industries, Roseville  
Jessica Berg, 651-361-7500

Northern Woodwork, Inc., Thief River Falls  
Lincoln Olson, 218-681-2305

R.C. Smith Company, Burnsville  
Peter Smith, 952-854-0711

\* Shaw/Stewart Millwork, Minneapolis  
Marilyn McCann, 651-488-2525

\* Siewert Cabinet & Fixture Mfg. Inc.,  
Minneapolis  
Rick Siewert, 612-721-4456

\* Southern Minnesota Woodcraft, Inc., Faribault  
Brad Cohen, 507-334-4985

St. Germain's Cabinet Inc., Duluth  
Steve Fairbanks, 218-624-1234

\* Wilkie Sanderson, Sauk Rapids  
Marc Sanderson, 320-252-3165

## Mississippi

Associated Architectural Products Inc.,  
Columbus  
Richard Ferguson, 662-245-0400

\* Commercial Millwork Specialist, Inc., Gulfport  
Trey Pennell, 228-868-3888

\* McNeil Cabinet & Millwork, Bay Springs  
Philip McNeil, 601-764-2100

\* Scanlon-Taylor Millwork Co., Jackson  
Frances Fraley, 601-362-5333

\* South Coast Architectural Woodworking, Inc.,  
Moss Point  
Burnie Kellum, 228-475-0912

Wood Works LLC, Ridgeland  
Shannon Hahn, 769-300-2257

WoodWorkers Construction, Inc., Picayune  
Roland Fanguie, 601-889-0322

## Missouri

A to Z Laminating Specialists Inc, Wentzville  
Mike Zender, 636-332-9961

Architectural Components Group Inc,  
Marshfield  
Larry White, 417-869-6777

Benee's Inc, Farmington  
Debbie Elders, 573-756-0035

\* C.S. Humphrey & Company LLC, Kansas City  
Sara Humphrey, 816-444-8100

\* Cabinet Masters, Inc., Ironton  
Matt Dunn, 573-546-9999

\* Cohen Architectural Woodworking, Saint James  
Noah Cohen, 573-265-7070

\* D. H. Schmidt Co., Inc., Saint Peters  
Rick Schmidt, 636-441-1555

\* Fixture Concepts Inc., Saint Peters  
Craig McDonough, 636-441-2210

\* Fixture Contracting Co Inc, Saint Louis  
Gary Sauer, 314-429-5222

\* Gravois Planing Mill, Inc., Saint Louis  
Robert Paradoski, 314-776-2800

KC Custom Woodworking, Kansas City  
Kent Klepper, 816-283-3335

Lami Wood Products Corp, Saint Peters  
Clay Richardson, 636-441-4430

Lancia Brothers Woodworking & Fixture  
Manufacturing Co., Saint Louis  
Bob Naumann, 314-721-0413

Merric Millwork and Seating, O Fallon  
Daniel Claypool, 314-770-9944

St. Louis WoodWorks, Saint Louis  
Gary Leek, 314-652-9663

\* WoodByrne Cabinetry, Inc., Saint Louis  
Timothy Byrne, 314-621-4545





Firms in BOLD with asterisk are LICENSED participants in the AWI Quality Certification Program as of the print date. For an up-to-date status go to awiqcp.org.

## Montana

Moderne Cabinet, Great Falls  
Layne Shanahan, 406-453-4711

Pine Door Manufacturing, Darby  
Steve Morris, 406-821-3024

\* **Pyramid Cabinet Shop, Billings**  
Dan Hugelen, 406-876-1521

\* **Sidney Millwork Company, Sidney**  
Lee Harris, 406-482-2810

WoodEz Fine Woodworks, LLC, Columbia Falls  
Bill Woody, 406-892-5194

## Nebraska

\* **C & H Cabinets and Countertops, Inc., Crete**  
John Culver, 402-826-5887

Kay Dee Company of Omaha, Omaha  
Scott Rasmussen, 402-593-9663

Ratigan-Schottler, Beatrice  
Patrick Ratigan, 402-223-3220

## Nevada

\* **B & C Cabinets & Millwork, Inc., Carson City**  
Alex Bullentini, 775-322-0000

\* **Herrick & O'Herron, Inc., North Las Vegas**  
Brian Herrick, 702-651-9725

\* **Pacific Showcase, Las Vegas**  
Steve Keane, 702-796-7272

\* **Victory Woodworks, Sparks**  
Brandan Koehn, 775-348-7552

Weber's Cabinet & Fixture Co., Reno  
Nick Weber, 775-322-1100

## New Hampshire

Aubin Woodworking, Inc., Bow  
Tony Aubin, 603-224-5512

\* **C.W. Keller & Assoc. Inc., Plaistow**  
Shawn Keller, 603-382-2028

Chamberlain Companies Inc., Salem  
Rebecca Janco, 603-893-2606

Procraft Corporation, New Boston  
James Wilcoxon, 603-487-2080

\* **The Woodworks Architectural Millwork Co., Londonderry**  
Gary Bergeron, 603-432-4050

## New Jersey

Artistic Doors and Windows, Avenel  
Rick Autovino, 732-726-9400

\* **B & M Custom Cabinetry, Bellmawr**  
Mark Leonetti, 856-227-9248

BON Architectural Millwork, LLC., Pennsauken  
Robert Bonacorsi, 856-320-2872

Capitol Woodwork, Marlton  
Richard Palko, 856-817-0001

Collingswood Architectural Millwork Inc.,  
Collingswood  
Robert Engelke, 856-854-0440

\* **Corporate Woodworking, Inc., Fairfield**  
Mark Andersen, 973-227-2211

Diversified Fixture, Lakewood  
Phil Vitillo, 732-886-0600

Eastern Millwork Inc., Jersey City  
Andrew Campbell, 201-451-9510

Epic Millwork, Somerset  
Vincent Biviano, 732-296-0273

\* **Hausmann Industries, Inc., Northvale**  
Richard Breitenbach, 201-767-0255

Hutchinson Cabinets, Sewell  
George Hutchinson, 856-468-5500

Interior Woodwork Installation, Newark  
Daniel Martins, 973-873-1575

\* **Jafo Industries, Middlesex**  
Abraham Wercberger, 732-356-1502

Laurel Millwork, Gloucester City  
Gary Gilbert, 856-251-3100

Logan Millwork, LLC, Newton  
Stephen Logan, 973-383-0400

\* **Lukach Interiors, Inc., Clifton**  
Mike Stefanoski, 973-777-1499

Metropolitan Woodwork, Springfield  
Sender Gluck, 908-481-1300

\* **Osborn's Mill, Farmingdale**  
Mark Piccolo, 732-751-0889

Patella Woodworking, Passaic  
Darrin McCool, 973-916-0100

\* **Prestige Millwork LLC, Branchburg**  
Tracy Bugasch, 908-526-5100

\* **RPI Industries Inc., Medford**  
Serena Smith, 609-714-2330

Salon Interiors, South Hackensack  
Walter Siegardner, 201-488-7888

\* **Sloan & Company, Inc., Mountain Lakes**  
Gennady Zaretsky, 973-227-3555

Somerset Wood Products Co., Raritan  
Mitch Bloch, 908-526-0030

Victor Robbins Group LLC, Hainesport  
Robert Schultz, 609-267-0080

## New Mexico

\* **Albuquerque Cabinet Brokers, LLC, Albuquerque**  
Gary Harwood, 505-345-4331

\* **Antix, Inc., Las Cruces**  
Anthony Harris, 575-526-2398

Artistic Millwork & Cabinets, Albuquerque  
Ronald Sanchez, 505-899-6006

\* **Enterprise Builders Corporation, Inc., Albuquerque**  
Ralph Baldwin, 505-857-0050

\* **Fame Mfg/NM School Products, Albuquerque**  
Pete Moore, 505-884-1426

\* **Jaynes Structures, Inc., Albuquerque**  
Andrew Sisneros, 505-345-8591

\* **OGB Architectural Millwork, Albuquerque**  
Dave Greig, 505-998-0000

\* **P&M Caseworks, LLC, Albuquerque**  
Adrian Jansz, 505-883-4617

Westwood Cabinets and Store Fixtures,  
Albuquerque  
Clayton Detar, 505-345-9604

## New York

All Craft Fabricators, Inc., Hauppauge  
Rob Thompson, 631-951-4100

American Building Contractors, Lindenhurst  
Ryan Bracken, 631-587-0928

ArchWood, INC., Rochester  
Mark Laese, 585-233-8920

\* **Artone, LLC, Jamestown**  
Michael Calimeri, 716-664-2232

\* **Bauerschmidt & Sons, Inc., Jamaica**  
Fred Bauerschmidt, 718-528-3500

Beaver Creek Industries, Inc., Canaseraga  
Gary Bajus, 607-545-6382

\* **BGI Interiors, Lackawanna**  
David Owczarzak, 716-893-1417

Carob Industries Inc, Holbrook  
Robert Levey, 631-225-0900

Centre Interiors Woodworking Co., Inc., Ozone  
Park  
Alex Lee, 718-323-1343

Champion Millwork, Inc., Syracuse  
Mark Zapisek, 315-463-0711

\* **Christiana Millwork, Jamesville**  
Ross Tuzzolino, 315-492-9099

\* **Clearwood Custom Carpentry & Millwork, East Syracuse**  
Kyle Latray, 315-432-8422

Colecraft Commercial Furnishings, Jamestown  
David Messinger, 716-488-2810



- \* **Conley Caseworks, Elma**  
David Lock, 716-655-5830
- \* **Consigli Construction, NY, Pleasant Valley**  
Dan LaCelle, 845-635-1800
- Creative Laminates, Inc., Syracuse  
Brian Boehm, 315-463-7580
- Dart Architectural Woodworking LLC, Brooklyn  
Artiom Tomchin, 718-497-1837
- \* **Digifabshop, Hudson**  
John Tompkins, 518-249-6500
- \* **E. M. Pfaff and Son, Inc., Horseheads**  
Susan Alexander, 607-739-3691
- Elli NY Design Corp., Ridgewood  
Peter Ligas, 718-418-9002
- \* **Forest Materials Inc, Buffalo**  
Jeffrey Hoffman, 716-895-3900
- \* **Four Daughters, LLC, Long Island City**  
Moshe Granit, 718-391-0440
- George V DeVito Master Carpenter Inc, Medford  
George DeVito, 631-286-5080
- Gilbert Displays Inc., Melville  
Marshal Gross, 631-577-1100
- Handcraft Cabinetry Inc., White Plains  
Michael Ford, 914-681-9437
- Island Architectural Woodwork, Inc., Ronkonkoma  
Edward Rufrano, 631-737-0020
- \* **Lifetime Design Corp, Deer Park**  
James Romanelli, 631-242-1162
- Luxury Interiors by Pic, Long Island City  
Andy Kukla, 917-776-7900
- M&D Millwork, LLC, Amityville  
Darren Winter, 631-608-4444
- Mamais Contracting Corp., New York  
Stavroula Mamais-Lorino, 212-865-1666
- \* **Millco Woodworking LLC, Hall**  
Kelly Christensen, 585-526-6844
- Miller Blaker, Inc., Bronx  
Jerome Nocerino, 718-665-0500
- MMC Millwork, Troy  
Lief Larsen, 518-465-1155
- MTD Corporation, West Babylon  
Matthew Turnbull, 631-491-3905
- \* **North Country Millworks, Massena**  
Creig Donnelly, 315-250-3707
- NR Wood Design, Brooklyn  
Franklin Nunez, 718-497-2566
- Nu-Tech Furnishings, Islandia  
Gary Citera, 631-923-0300
- NY Custom Interior Millwork Corp., Astoria  
Elizabeth Lagos, 718-392-1600
- \* **PGS Millwork, Inc., Hudson**  
Scott Manchester, 518-828-2608
- Platinum Millworks, Inc, Bronx  
Aidan McCormack, 718-509-0990
- Precision Cabinets Inc., Smithtown  
Peter Loscialpo, 631-543-3870
- Quaker Millwork and Lumber, Inc., Orchard Park  
Robert Raber, 716-662-3388
- \* **R.B. Woodcraft, Inc., Syracuse**  
Raymond Brooks, 315-474-2429
- Red Barn Cabinet Shop, Brooktondale  
Ben Boynton, 607-539-7675
- Ridge Cabinet & Showcase, Inc., Rochester  
Steve Lader, 585-663-0560
- \* **Riverfront Custom Design, Inc., North Tonawanda**  
Paul Tucker, 716-693-2501
- S. Donadic, Inc., Long Island City  
Johnny Donadic, 718-361-9888
- \* **Scanga Woodworking Corp., Cold Spring**  
Laura Hammond, 845-265-9115
- Solid Surface Craftsman, Inc., Glenville  
Alan Boulant, 518-388-8644
- Storm King Group, Inc., Montgomery  
Tim Leiching, 845-457-5552
- Thornwood Architectural Woodwork Inc., Thornwood  
Tim Egan, 914-773-1400
- \* **Tobin Woodworking, Inc., Farmingdale**  
Jody Tobin, 631-249-1614
- \* **T-Squared Custom Millwork Inc., Oxford**  
Tamara Tarbell, 607-843-2442
- Vella Interiors, Inc., Long Island City  
Michael Vella, 718-729-0026
- W. Designe Inc., Peekskill  
Alejandro Bernabo, 914-736-1058
- \* **Wood Etc., Inc., Syracuse**  
Jesse Schmidt, 315-484-9663
- Woodtronics Millwork Corp., Yorktown Heights  
Jan Efraimsen, 914-962-5205
- Carocraft Cabinets, Inc., Charlotte  
Larry Stroud, 704-376-0022
- \* **Caseworx, Hudson**  
John Bostian, 828-212-0000
- \* **Custom Wood Products of Rural Hall, Rural Hall**  
James Simmons, 336-969-6886
- \* **D&L Cabinets, Inc., Graham**  
Louis DeMarco, 336-376-6009
- \* **Forest Millwork, Inc., Asheville**  
Alan Tenan, 828-251-5264
- \* **Hajjar Cabinet Systems, Goldsboro**  
William Hajjar, 919-735-7547
- \* **Hardwood Designs, Hillsborough**  
Tom Carstens, 919-643-1100
- \* **Interior Wood Specialties Inc., High Point**  
Huig Zuiderent, 336-431-0068
- \* **Kewaunee Scientific Corporation, Statesville**  
Chris Webb, 704-873-7202
- Lentz Cabinets and Associates LLC, Etowah  
Jason Higgins, 828-687-7688
- \* **Master Kraft Inc, Matthews**  
Michael Kovalev, 704-234-2673
- \* **MDN Cabinets Inc, Raleigh**  
Justin Hanlon, 919-662-1090
- Metro Woodcrafter of NC, Inc, Charlotte  
Barry Rigby, 704-394-9622
- Metrolina WoodWorks Inc, Stallings  
Fred Crawford, 704-821-9095
- \* **Northside Millwork Inc., Hillsborough**  
Peter Singer, 919-732-6100
- \* **Prestige Millwork Inc., Star**  
Kim Gariepy, 910-428-2360
- Pridgen Woodwork Incorporated, Whiteville  
Jack Burgess, 910-642-7175
- RLS Commercial Interiors, Inc., Wendell  
Robert Stout, 919-365-4086
- \* **Rowland Woodworking, Inc., High Point**  
Jeffrey Cox, 336-887-0700
- S. Harris Inc., Sophia  
Steven Harris, 336-399-4919
- Salisbury Millwork/Kronen Casework, Salisbury  
Clay Lindsay, 704-603-4501
- \* **Stanly Fixtures Co., Inc., Norwood**  
Todd Curlee, 704-474-3184
- \* **Stephenson Millwork Co., Inc., Wilson**  
Lee Stephenson, 252-237-1141
- \* **The Ullman Group, Charlotte**  
Luke Ullman, 704-321-4174
- Thompson Millwork, LLC, Durham  
Matthew Thompson, 919-596-8236
- TS Woodworks and RAD Design, Inc., Monroe  
Toral Jagani, 704-238-1015

## North Carolina

- \* **AMG Casework, Morrisville**  
Nathan McLeod, 919-462-9203
- \* **Arrowood Manufacturing, LLC, Norwood**  
Jim Yeatts, 704-787-4151
- \* **Atlantic Commercial Caseworks, Charlotte**  
Nathaniel Gatewood, 704-393-9500
- \* **Basepoint, Inc., Sharpsburg**  
Larry Gutshall, 252-977-7549
- \* **BMC Architectural Millwork, Greensboro**  
Pat Bullard, 336-621-1208
- \* **Cabinet Kraftsmen Specialties, Inc., Durham**  
D.J. Spencer, 919-477-6318







Firms in BOLD with asterisk are LICENSED participants in the AWI Quality Certification Program as of the print date. For an up-to-date status go to awiqcp.org.

Unique Concepts, Wendell  
Lynne Leach, 919-366-2001

\* **Watson Wood Works, Winston Salem**  
Jesse Watson, 336-788-1881

WoodTech/Interiors, Inc., Charlotte  
Bob Binner, 704-332-7215

Yadkin Valley Cabinet Co, Inc, Mount Airy  
Brad Collins, 336-786-9860

Zepsa Industries, Inc., Charlotte  
Ed Zepsa, 704-583-9220

Minot Sash and Door Company, Minot  
Michael Feist, 701-852-2181

\* **TMI Systems Corporation, Dickinson**  
Chris Johnson, 701-456-6716

\* **Woodside Industries, Inc., Cavalier**  
Jerry Symington, 701-265-8212

## Ohio

\* **Amtekco Industries, Inc., Columbus**  
Roger Henry, 614-228-6590

\* **ArtWoodworking & Mfg. Co., Cincinnati**  
Ralph Dickman, 513-681-2986

Benchmark Woodworks Co., Delaware  
Daniel Witt, 740-363-2525

\* **Bruewer Woodwork Mfg. Company, Cleves**  
Ralph Bruewer, 513-353-3505

\* **Cassady Woodworks Inc., Dayton**  
Tom Joch, 937-256-7948

\* **Colby Woodworking, Inc., Dayton**  
Katherine Penney, 937-254-7647

\* **Conte Custom, Ltd, Columbus**  
Sam Amore, 614-595-3558

\* **Cooper Enterprises, Inc., Shelby**  
LaMont (Monty) Friebe, 419-347-5232

\* **Corna Kokosing Construction Co., Westerville**  
Jim Graves, 614-901-8844

\* **CourtHouse Manufacturing, LLC dba Chappell Door Co., Washington Court House**  
Wayne Gooley, 740-335-2727

\* **Crowe's Cabinets, Inc., Poland**  
Tim Crowe, 330-729-9911

\* **Custom Millwork Designs, Oakwood Village**  
James Torrence, 440-232-4644

DB Cabinets & Construction, Arcanum  
Dennis Benedict, 937-692-5633

Dover Cabinet Industries, Inc., Dover  
John Perkowski, 330-343-9074

Eurocase Arch. Cabinets & Millwork, Millersburg  
Nick Mullet, 330-674-0681

\* **Forum Works LLC, Milford Center**  
Preston Steele, 937-349-8685

Hamilton Casework Solutions, Fairfield  
Brad Quick, 513-870-4400

Heartland Stairways, Holmesville  
Delon Shetler, 330-279-2554

\* **Hoge Lumber Company, New Knoxville**  
Mike Burd, 419-753-2263

\* **idX Corporation, Dayton**  
Isaac Bokros, 937-401-3460

JAH Woodworking, LLC, Bloomingdale  
John Humpe, 740-266-6949

\* **Keim Lumber Company, Charm**  
Duane Hershberger, 330-893-2251

Merritt Woodwork, Mentor  
Keith Merritt, 440-942-0205

Midwest Commercial Millwork, Inc., Lima  
Doug Coolidge, 419-224-5001

\* **Mill Tech, LLC, Canal Winchester**  
Kevin Henderson, 614-275-1888

\* **Mock Woodworking Co., Zanesville**  
Douglas Mock, 740-452-2701

MRO Built, North Canton  
Michael Cox, 330-526-0555

Ohio Wooden Bench Co / Luken Construction,  
Cincinnati  
Kenneth Luken, 513-941-5400

Ohio Woodworking Company, Norwood  
Tom Frank Jr., 513-631-0870

Okeana Hardwoods & Mfg., Okeana  
Ken Zawaski, 513-738-3421

\* **Reserve Millwork, Inc., Bedford Hts**  
Diane Tutolo, 216-531-6982

Riceland Cabinet Corporation, Wooster  
Todd Smith, 330-601-1071

\* **Rivereast Custom Cabinets, Inc, Toledo**  
John Weiser, 419-244-3226

Riverside Construction Services, Inc., Cincinnati  
Robert Krejci, 513-723-0900

Robertson Cabinets Inc, West Milton  
Jeffery Yantis, 937-698-3755

\* **Royal Cabinet Design Co., Brook Park**  
Joe Estephan, 216-267-5330

Salem Mill & Cabinet, Salem  
Bruce Winters, 330-337-9568

Sauder Manufacturing Company, Archbold  
Brent Holland, 800-537-1530

Sheridan Millwork & Cabinetry, Cleveland  
Ed Sheridan, 216-663-9333

\* **Signature Millshop, Columbus**  
Mario Grilli, 614-469-1230

\* **Southern Cabinetry Inc., Bidwell**  
Don Strieter, 740-245-5992

\* **Stanton Millworks, Cincinnati**  
John Zembrodt, 513-961-7201

Stratton Creek Wood Works, LLC, Kinsman  
Kathy Lawman, 330-876-0005

Stull Woodworks Inc., Troy  
Brian Stull, 937-698-8181

\* **TDS Custom Cabinets, Columbus**  
Dustin Sauer, 614-850-7590

\* **Ted Bolle Millwork, Inc., Springfield**  
Patrick Nartker, 937-325-8779

\* **Topcraft, Inc., Barberton**  
Bill Cvammen, 330-753-3083

\* **Vaughn Interior Concepts, Inc, Dayton**  
Craig Vaughn, 937-220-9996

\* **Vivo Brothers Inc., Poland**  
Vince Vivo, 330-629-8686

Volpe Millwork Inc., Cleveland  
John Volpe, 216-581-0200

Walsh Commercial Group dba Wood  
Dimensions, Cleveland  
Beth Czenkner, 216-251-5509

\* **Wittrock Woodworking & Mfg., Blue Ash**  
Chris Wittrock, 513-891-5800

\* **Wood Concepts Inc., Cleveland**  
Jackie Even, 216-579-0500

## Oklahoma

Alpha Omega Woodworks, LLC., Norman  
PJ Pinkerton, 405-364-0022

Bearwood Native, LLC, Tulsa  
Jeff Cronin, 918-933-6601

\* **Cooper Cabinet Systems, Oklahoma City**  
Matt Cooper, 405-528-7220

\* **EGR Incorporated, Oklahoma City**  
Darren Lister, 405-943-0900

\* **FADCO, Inc, Tulsa**  
Bob Vincent, 918-832-1641

\* **Lakewood Cabinetry, Langley**  
Doug Olson, 918-782-2203

Strategic Retail Concepts, Sapulpa  
Tony Ducato, 918-581-6800

\* **Wood Systems, Inc., Tulsa**  
Casey Decker, 918-749-7062

## Oregon

\* **Advance Cabinet Designs, Inc., Eugene**  
Andy Michaud, 541-465-3394

\* **Architectural Millwork Mfg. Co., Eugene**  
Jarold Stump, 541-689-1331



- \* **Artek, Inc., Beaverton**  
Michelle Cartwright, 503-641-6877  
  
Charles Marpet Fine Woodworking, Cottage Grove  
Charles Marpet, 541-767-0672  
  
Faustrollean Fixture Co, Inc., Portland  
Dylan Zell, 503-735-4469
- \* **Fuller Cabinets, Eugene**  
Danielle Benson, 541-349-9887  
  
W.C. Cabinets dba Fixturelogic, Eugene  
Mike Petrushkin, 541-485-7579

## Pennsylvania

- \* **Advanced Trim and Kitchens, Kinzers**  
Merv Engel, 717-442-8098
- \* **Allegheny Millwork & Lumber, Lawrence**  
William Clasper, 724-873-8700
- \* **American Millwork & Cabinetry, Inc., Emmaus**  
George Reitz, 610-965-0040  
  
American Wood Design Inc., Chester  
Jo Ann Gilhool, 484-380-9500
- \* **Artisan Display Inc., Red Hill**  
Ted Wassmer, 215-679-8577  
  
ASST, McSherrystown  
Kevin White, 717-630-1251
- \* **Beam's Custom Woodworking Inc., Morgantown**  
William Beam, 610-286-9040
- \* **Bench Dogs, Denver**  
Mike Knauer, 717-964-1111
- \* **Bentley & Collins Company, Montoursville**  
Kurt Fritz, 570-546-3250
- \* **Boyertown Planing Mill Company, Boyertown**  
John Bingaman, 610-367-2124  
  
Brightbill Industries Inc., Harrisburg  
Martin Brightbill, 717-233-4121  
  
Bristol Millwork Inc., Philadelphia  
Michael Baier, Sr., 215-533-1921  
  
Burns & Wohlgemuth, Bensalem  
George Wohlgemuth, 215-638-9672  
  
C&S Custom Cabinets, Montoursville  
Wesley Bower, 570-368-3130  
  
Commercial Stainless, Bloomsburg  
Brian Wawroski, 570-387-8980
- \* **CraftPoint Concepts, Ephrata**  
Konstantin Reznik, 717-283-4325  
  
E. B. Endres Inc., Huntingdon  
Richard Endres, 814-643-1860  
  
F. DeFrank & Son Custom Cabinets, Inc., Smock  
Dominic DeFrank, 724-430-1812
- \* **Fine-line Cabinets, Inc., Hollidaysburg**  
Douglas Irvin, 814-695-8133
- \* **Giffin Interior & Fixture, Inc., Bridgeville**  
Dustin Giffin, 412-221-1166  
  
Glenshaw, Allison Park  
Kenneth Rogg, 412-753-0231

- \* **Harmony Plus Woodworks Inc., Dillsburg**  
Terry Frankenfield, 717-432-0372
- \* **Hoff Enterprises Inc., Johnstown**  
Kurt Freidhoff, 814-535-8371  
  
Interior Design Fabrications, Inc., Folcroft  
Michael Sabatina, 610-237-0700  
  
Ivan C. Dutterer Co., Hanover  
Greg Musser, 717-637-8977
- \* **J.C. Snavelly & Sons, Inc., Lancaster**  
Alan Hinson, 717-291-8989
- \* **JBI/Parisi, Newtown**  
Timothy Parisi, 215-968-6677  
  
JDR Fixtures, Inc., Pottstown  
Jeremy Shaughnessy, 610-323-6599  
  
JWI Architectural Millwork Inc., Mercersburg  
Gary Ahalt, 717-328-5880  
  
K&L Woodworking Inc, Reading  
Sherry Romoho, 610-372-0738
- \* **Master Woodcraft Corporation, Washington**  
David Diesel, 724-225-5530
- \* **Merrigan Corp dba/National Woodwork Manufacturing, Bethlehem**  
Christine Merrigan, 610-317-6300  
  
Millwork Solutions Inc., Seward  
Bryan Paczek, 814-446-4009  
  
Mitre Wright Inc., York  
Todd Salony, 717-812-1000  
  
Modern Casework Inc., Waynesboro  
James Davis, 717-387-5287  
  
Morris Black and Sons, Allentown  
Charles Buchsbaum, 610-264-2700  
  
New Holland Church Furniture, New Holland  
Jevon Shrik, 717-354-4521  
  
Paul Downs Cabinetmakers, Bridgeport  
Paul Downs, 610-239-0142
- \* **Pittsburgh Specialty Cabinet Company, Verona**  
Leo Lisowski, 412-731-1092
- \* **Rycon Construction Inc., Oakdale**  
Danielle McCullough, 412-932-2525  
  
Rynone Manufacturing Corp, Sayre  
Richard Rynone, 570-888-5272  
  
Schlaegle Design Build Associates, Pittsburgh  
Casey Schlaegle, 412-458-3966  
  
Seven Trees Woodworking, New Holland  
Matt Miller, 717-351-6300  
  
SSC Distributors, Chester  
Barry Scholtz, 610-494-2700
- \* **Tech 2000 Woodworks, Inc., Jeannette**  
Keith Geller, 724-522-9914
- \* **Wood-Metal Industries, Selinsgrove**  
Scott Groce, 570-374-1176
- \* **Wyatt Incorporated, Pittsburgh**  
Frederick Episcopo, 412-787-5800

## Puerto Rico

- Hambleton Group Companies, Inc., San Juan  
Tito Suarez, -781-8186  
  
Oficiosma, San Juan  
Francisco Gutierrez, 787-505-5315  
  
Riax Contractors Corp, San Juan  
Axel Riveria, -754-6410

## Rhode Island

- All State Fabricators, Div of EMI Industries, Cranston  
William Johnson, 401-785-3900
- \* **Artisan Millwork, LLC, Pawtucket**  
Peter Sparling, 401-721-5500
- \* **Design Fabricators, Inc., Cranston**  
Roberta Degraide, 401-944-5294
- \* **Frank Shatz & Company, Inc., Warwick**  
Randy Shatz, 401-739-1822
- \* **Herrick & White, Ltd., Cumberland**  
Kenneth Bertram, 401-658-0440  
  
Interior Woodworking Solutions, Cranston  
Brian Franco, 401-919-5959
- \* **Jutras Woodworking, Inc., Greenville**  
Dave Payette, 401-949-8101
- \* **Millwork One, Inc., Cranston**  
John Fish, 401-738-6990  
  
T & C Woodworking, Pawtucket  
Gary Branch, 401-728-9663  
  
Wetstone Design & Millwork, Middletown  
Fred Rego, 401-619-5930

## South Carolina

- Biggs Casework, Florence  
Catharine Love, 843-673-0081
- \* **Blue Ridge Cabinetworks, LLC, Drayton**  
Benjamin Ratterree, 864-595-0398
- \* **Coastal Millwork & Supply LLC, Summerville**  
Mary Miller, 843-873-9192
- \* **Designer Cabinetry by Flanders, Gaston**  
Paul Flanders, 803-739-0034
- \* **James McGrew Cabinetmakers, Columbia**  
James McGrew, 803-933-9988
- \* **Low Country Case and Millwork, Inc., Ladson**  
David Stasiukaitis, 843-797-0881  
  
M&M Custom Woodworks, Inc., Greenville  
Gregory Mock, 864-269-0888
- \* **Palm Bay Cabinet Company, LLC, Beaufort**  
Dustin Qualls, 843-846-2900
- \* **PCI Cabinetworks, Harleyville**  
Patricia Wilkinson, 843-462-7509
- \* **Peralta Woodworks, Inc., Columbia**  
Ernie Peralta, 803-779-6669
- \* **Satterfield Woodworking Inc., Greer**  
Gene Fowler, 864-877-0706







Firms in BOLD with asterisk are LICENSED participants in the AWI Quality Certification Program as of the print date. For an up-to-date status go to awiqcp.org.

- \* **Southern Commercial Interiors Inc., Lexington**  
Rick Batchelor, 803-808-0346
- \* **Specialty Woodworks, Inc., Lexington**  
Graham Houghten, 803-957-8872
- \* **Woodco Inc., Piedmont**  
Brian Dobson, 864-277-4001

## South Dakota

- GHC Casework, Sioux Falls  
Hunter Irvine, 605-336-6082
- JMJ Caseworks, Sioux Falls  
Becky Miller, 605-332-0805
- \* **Maloney, Inc., Sioux Falls**  
Chris Maloney, 605-368-5214
- \* **Riss & Associates Cabinets & Casework, Black Hawk**  
Timothy Roth, 605-718-5080

## Tennessee

- American Millwork & Granite, Memphis  
Carlo Foster, 901-550-8249
- ANA Woodworks, LLC, Chattanooga  
Mike MacKinnon, 423-867-3171
- Architectural Surfaces LLC, Chattanooga  
Larry Leigh, 423-899-6233
- Cabeen Originals, Chattanooga  
Aaron Cabeen, 423-521-0797
- \* **CampbellRhea-ICI, Paris**  
Jim Arthurs, 731-642-4251
- Cedar Forest Construction, LLC, Lebanon  
Brett VanSickle, 615-481-7005
- Clancy Custom Woodworking, Knoxville  
Art Clancy, 865-938-4638
- Courtland Woodworks, Inc., Heiskell  
Jennifer Atkins, 865-938-8387
- \* **Cumberland Architectural Millwork, Nashville**  
Andrew Martin, 615-254-1710
- Custom Counter & Display LLC, Chattanooga  
Randy Burrows, 423-648-0490
- Integrity Architectural Millwork, Nashville  
Frank Fuzzell, 615-332-0076
- Maverick Millwork LLC, Collierville  
Anthony Musarra, 901-219-2233
- Memphis Masterworks LLC, Memphis  
Trevor Knight, 901-525-9966
- \* **Memphis Plywood Corporation, Memphis**  
Brian Wilhite, 901-948-5531
- Mill Creek Associates, Inc, Antioch  
Stephen Landers, 615-832-0737
- R.J. Wherry & Associates, Madison  
Colton Wherry, 615-868-1821
- Slater Lumber + Millwork LLC, Memphis  
John Slater, 901-207-6574
- \* **SledgeCraft, Inc., Murfreesboro**  
Trevor Sledge, 615-898-1223
- \* **Steve Ward and Associates, Inc., Nashville**  
Andrew Ward, 615-350-7310
- Sudberry Millwork Inc., Nashville  
Clay Zorn, 615-331-4076
- \* **Tate Ornamental Inc., White House**  
Ernie Palmquist, 615-672-8333
- Vintage Millworks, Inc., Nashville  
Margaret Dunn, 615-244-8044

## Texas

- \* **3V Company, Houston**  
Ruben Villarreal, 281-717-1200
- Abilene Millwork, Abilene  
Franz Hallgren, 325-677-8856
- Acacia, Porter  
Will Fuller, 877-565-5995
- AEP Millwork, Arlington  
Alan Davis, 817-522-4542
- Allan Commercial Millwork, Sherman  
Amitkumar Patel, 469-213-0405
- Alvarez Custom Cabinets Inc., Amarillo  
Fabian Alvarez, 806-731-0540
- Ambrose Taylor LLC, dba HEWN, Austin  
Ambrose Taylor, 512-386-6404
- \* **Anton Cabinetry, Pantego**  
John Anton, 817-460-8681
- Ar-Case, Inc. dba Architectural Caseworks of TX,  
San Antonio  
Marie Plata, 210-735-5175
- \* **Austin Conor Millwork, Joshua**  
Melissa Plihal, 817-295-8837
- \* **Brochsteins, Houston**  
Steven Hecht, 713-666-2881
- Buda Woodworks LLC, Buda  
Jason Hair, 512-312-0550
- Carpentry Associates, Arlington  
Peter Sandoval, 469-766-1069
- \* **Casework Solutions LLC, El Paso**  
Juan Soto, 915-875-8640
- \* **CCI Group, Longview**  
James Hodges, 903-753-2488
- \* **CG Millwork and Construction LLC, El Paso**  
Carlos Gallardo, 915-239-1980
- \* **Christman Millwork, Sunnyvale**  
Rod Luedtke, 469-501-5475
- \* **Classic Millwork & Products Inc., El Paso**  
Bruce Spitz, 915-494-2129
- Comac Fixtures, Inc., Amarillo  
Ruby Weiss, 806-376-4511
- Concepts in Cabinetry, Saint Hedwig  
Sharon Scrimpsheer, 210-667-1717
- Contemporary Concepts Inc, Texarkana  
Venetia Williams, 903-831-4482
- CRC-Mastercraft, Inc., Houston  
Candi Graves, 281-897-8880
- Cubic Custom Cabinets Corp., Grand Prairie  
Michael Haynes, 972-647-4090
- CWW Millwork LLC, Houston  
Obad Morales, 832-619-1068
- \* **Dovetail Custom Woodworks, Del Valle**  
Isaac Alexander, 512-924-5555
- \* **Environment LTD, Houston**  
Rob Gerry, 281-983-0100
- Environs Architectural Millwork , Pflugerville  
Matt Clawson, 512-990-0037
- Facility Construction Services, Inc. (FCS), Dallas  
Paul Holden, 214-381-0101
- Fish Construction, Inc., Stafford  
Scott Fish, 281-261-3375
- Garken Commercial Millwork, Plano  
Justin Prater, 972-516-1000
- Georgetown Woodworks, Georgetown  
Trish Morrison, 512-868-9048
- Global Casework Manufacturing, Sugar Land  
George Abuata, 281-494-6181
- Goebel Woodwork, Cuero  
Carl Krueger, 361-277-5220
- Hollman Inc., Irving  
Travis Hollman, 972-815-4000
- Houston Cabinets, Houston  
Rick Keschinger, 713-349-0848
- \* **Howard-McKinney, Inc., Tyler**  
Mike Johnson, 903-593-3651
- \* **Hunter Millworks, Inc., Lubbock**  
Dan Poole, 806-792-4864
- Imperial Contracting LLC, Horizon City  
Eddie Palacios, 915-533-8515
- Imperial Woodworks, Inc., Waco  
Kevin Smith, 254-741-0606
- Impressions Architectural Millwork, Cypress  
Barbara Dumaine, 281-477-8080
- \* **JC Manufacturing Inc, Emory**  
Toby Zyroll, 903-473-3770
- \* **JC Millwork Inc, Flower Mound**  
Donny Palmertree, 469-702-2570
- Jericho Woodworks, Stafford  
Nidal Abuata, 281-969-7947
- \* **Joshtom Millwork, Houston**  
Tobin Englet, 281-561-8484
- JSR Inc., Schertz  
Craig Williams, 210-653-7772
- \* **K&J Woodworks, Umland**  
Brett Burich, 512-668-4237



\* **Keystone Millwork Inc., Bryan**  
Susan Bailey, 979-823-4846  
KTI Cabinets, White Settlement  
Raykel Rodriguez, 817-924-5520

\* **Lutz Woodworks LLC, Wylie**  
Greg Lutz, 972-429-5521  
Maco Manufacturing Inc, Temple  
Mike Sant, 254-791-6943

\* **Master's Builders, Inc, El Paso**  
Rick Prat, 915-532-1007

\* **MGC Inc., Houston**  
David Mahood, 713-800-7300

\* **Millennia Cabinetry Inc., Helotes**  
Mia Elizalde, 210-688-3107

\* **NC Group, Inc., Houston**  
Daniel Tamez, 281-459-9418  
OnePointe Solutions, Elgin  
Don Carlson, 512-652-6292

\* **Panel Specialists, Inc., Temple**  
Matthew Robinson, 254-774-9800

\* **Phoenix Millwork, Alvin**  
Ian Hamilton, 281-388-2211

\* **Pioneer Architectural Millwork, Houston**  
Robert Crane, 713-461-8203

\* **Pioneer Millworks, Inc., Amarillo**  
Danny Castleman, 806-622-3201

\* **Quality Mill Work by Brownco, LLC, Rowlett**  
Jerry Brown, 214-830-4113

\* **Quest Millwork, Stafford**  
Jon Deutser, 832-391-3534  
RD & S School Equipment Co., LLC, Marion  
Ronald Dudo, 830-708-3777

\* **Robert Shaw Mfg. Co., Inc., Fort Worth**  
Julie Shaw, 817-927-2557

\* **Roomi Group Corporation, Houston**  
Faisal Hussain, 281-405-8165

\* **Signature Cabinets, Dallas**  
Perry Hix, 214-688-1966  
Signature Millwork, Dallas  
Signature Millwork, 972-241-9535

SRG Solutions, LLC, Houston  
Kenneth Urban, 281-214-8560  
Tesco Learning Environments, Bellville  
Justin Hardy, 800-699-5824

Tomco, Inc., San Antonio  
Tom McGee, 210-270-9510

\* **Top Notch Cabinet Installation Inc., Manvel**  
Pete Meade, 832-548-1483

\* **Trautschold Millwork, Ltd., Waco**  
Mike Sheedy, 254-752-6547

Triton Industries Inc. dba Millwork Services,  
San Marcos  
Crystal Griffin, 512-805-0665

Tyler Wood Works, Inc., Troup  
Connie Switzer, 903-842-2443

\* **Valcour Casework Inc., Helotes**  
Edward Clukey, 210-695-2155

Watson & Cochran Inc., Dallas  
Kyle Cochran, 214-943-2033

Wood Perceptions, LLC, Dallas  
Abraham Alfaro, 214-391-7373

Woodhaus, Carrollton  
Jeff Dale, 972-245-8117

## Utah

\* **Anvil Cabinet & Mill, Brigham City**  
Melanie Leishman, 435-723-5001

\* **Associated Fixture Manufacturing Inc., Magna**  
Scott Colledge, 801-250-7620

\* **Boswell Wasatch Mill, Springville**  
Chris Boswell, 801-489-7527

Clients Design Inc, North Salt Lake  
Richard Brack, 801-296-1698

\* **Contempo Cabinet & Mill, Salt Lake City**  
Scott Carroll, 801-886-9111

\* **Fetzers' Incorporated, West Valley City**  
Erik Fetzer, 801-484-6103

\* **Granite Mill & Fixture, West Valley City**  
Matthew Sandberg, 801-467-3222

\* **Huetter Mill & Cabinet Inc., Murray**  
Heath Harkey, 801-263-9437

\* **JLR - Fondell, Lehi**  
John Kusterle, 801-768-4467

\* **Mapleleaf Cabinets, Inc., West Valley City**  
Kevin Affleck, 801-262-7741

\* **Masterpiece Commercial Millwork, Lindon**  
Darren McCabe, 801-406-9950

\* **Montgomery Custom Cabinets, West Jordan**  
Darin Montgomery, 801-679-9941

Oviatt Cabinet & Mill, Midvale  
Christopher Mullins, 801-352-0617

\* **Riverwoods Mill, Inc., Saint George**  
Chris Peterson, 435-673-4145

Smith Stone Supply, Inc., Ogden  
Michael Smith, 801-710-2998

## Vermont

Green Mountain Millwork, Shelburne  
John Charland, 802-985-8669

## Virginia

\* **Annandale Millwork & Allied Systems Corp., Winchester**  
Robert Frogale, 540-665-9600

\* **Arboleda Cabinets Inc., Richmond**  
Guillermo Arboleda, 804-230-0733

\* **Ashland Woodwork LLC, Ashland**  
Doug Clark, 804-798-4088

BILTCO LLC, Lorton  
Fernando Lamas, 703-372-5940

\* **Blair Dumond Inc., Richmond**  
Chris Saltonstall, 804-359-2090

\* **Campostella Builders, Norfolk**  
Doyle Palmer, 757-545-3212

Charles Yost Custom Cabinets, Newport News  
Charles Yost, 757-873-2147

\* **Clark's Lumber & Millwork, Inc., Fredericksburg**  
Doug Clark, 804-448-9985

Coastal Creations, Inc., Virginia Beach  
Jeffrey Beavers, 757-468-9613

Columbus Woodworks, Inc., Lynchburg  
Tim Columbus, 434-528-1052

\* **DK Finishing, Sterling**  
David Klamer, 703-439-8702

Dominion Millwork Company, Inc., Bristow  
Sam Shin, 703-372-1911

Fairfax Woodworking, Inc., Chantilly  
Andrew Kim, 703-339-9578

Five Star Fab & Fixture, Salem  
Terry Williams, 540-444-0456

\* **Gaithersburg Cabinetry & Millwork, Warrenton**  
Stephan Smith, 540-347-4551

\* **Hackney Millwork, Inc., West Point**  
Gene Hackney, 804-843-3312

\* **IBS Corp., Manassas**  
Paul Bell, 703-631-4011

\* **J. T. Wood Products, Inc., Petersburg**  
Jody Bakay, 804-733-8550

\* **Jefferson Millwork & Design, Inc., Sterling**  
Matt Hancock, 703-260-3370

\* **Julian Swain Builders, Inc., Norfolk**  
Julian Swain, 757-459-8000

\* **Karn Custom Woodwork, Richmond**  
Kenneth Kueny, 804-213-0300

\* **Kearney & Associates, Inc., Culpeper**  
Patrick Kearney, 540-423-9511





Firms in BOLD with asterisk are LICENSED participants in the AWI Quality Certification Program as of the print date. For an up-to-date status go to awiqcp.org.

Key Woodworking, Inc., Springfield  
Ken Lee, 703-914-2526

- \* **Merchants Fixture, Ashland**  
Brandon Wright, 804-798-9804
- \* **Mid-Atlantic Casework, LLC., Falmouth**  
Shannon Mauro, 540-479-3390
- \* **Nielsen Builders, Inc., Harrisonburg**  
Scott Lipscomb, 540-434-7376  
  
Nycom Inc., Midlothian  
Jonathan Nystrom, 804-794-3044
- \* **Paragon Casework, Chantilly**  
Steve Humes, 703-802-1517
- \* **Potomac Architectural Millwork Corp., Woodbridge**  
Nelly Mori-Giammerino, 703-440-6800
- \* **Premier Millwork & Lumber Co., Virginia Beach**  
George Melynky, 757-463-8870

- \* **Rockwood Specialties, LLC dba Serenity Cabinets and Millwork, Bassett**  
Bradley Smart, 276-627-8010  
  
S & T Commercial Cabinets LLC, Hampton  
John Nissen, 757-726-2802  
  
Shaffer Cabinet Works, Inc, Vernon Hill  
Eric Shaffer, 336-215-1591  
  
Virginia Casework Corp., Springfield  
Enrique Angulo, 703-520-1000  
  
Virginia Millwork, Richmond  
James Hamilton, 804-266-5264
- \* **Wellingford Millwork, LLC., Manassas**  
Jim Powers, 571-379-5500  
  
Wilcox Woodworks Inc., Manassas  
Daniel Wilcox, 703-369-3455  
  
XP-Manufacturing, Richmond  
Dan Smullen, 804-823-8770

## Washington

- \* **AAA Cabinets & Millwork Inc., Airway Heights**  
Tim Stewart, 509-484-7152  
  
Burke Gibson LLC, Auburn  
Scott Gibson, 253-735-4444
- \* **Cabinet Tech, LLC, Yakima**  
Jason Cook, 509-575-0180
- \* **Central Cabinet Systems, Tacoma**  
Gabe Kettler, 253-830-2409  
  
Commercial CabinetWorks, Ridgefield  
Charles Day, 360-857-3130
- \* **Custom Craft LLC, Sumner**  
Todd Hegstad, 253-826-5450
- \* **Custom Source Woodworking, Inc, Tumwater**  
Joe Wadsworth, 360-491-9365
- \* **Genothen Casework, Tumwater**  
Terese Dwinal, 360-352-3636
- \* **In Store Services, Inc., Seattle**  
Jeff Graham, 206-682-3934  
  
Interior Wood Products, LLC, Olympia  
Brian Ritter, 360-352-7273  
  
Interior Woodworking Specialists, Redmond  
Ed Basher, 425-881-1328
- \* **ML Fox Construction LLC, Everett**  
Lori Fox, 425-397-6965  
  
Pearson Millwork, Inc., Arlington  
Kirsten Ingham, 360-435-9516  
  
Skagit Architectural Millwork, Mount Vernon  
Weston Wells, 360-336-9587
- \* **Specialty Wood Manufacturing, Tacoma**  
Sonja Kallam, 253-531-1335
- \* **Ted Pancoast Woodworking, Kettle Falls**  
Ted Pancoast, 509-675-5822  
  
W.W. Wells Millwork LLC, Everett  
Steve Oswald, 425-259-9155

## West Virginia

- \* **Architectural Wood, LLC, Roncerverte**  
Don Finnegan, 304-647-3300
- \* **Chandler's Plywood Products, Huntington**  
Bruce Mosser, 304-429-1311
- \* **Mott Manufacturing, LLC, Maxwelton**  
Doug Walton, 304-497-2115
- \* **Plastic Sales Corporation, Charleston**  
Andrew Carey, 304-744-9441  
  
Wilson Quality Millwork, Inc., Elkins  
John Wilson, 304-636-9096

## Wisconsin

- \* **Architectural Forest Products, Two Rivers**  
Jason Krings, 920-793-4404
- \* **C.L.S. Custom Laminating Specialists, Green Bay**  
Jody Fuller, 920-434-4266
- \* **Carley Wood Associates, Inc., Madison**  
Robin Carley, 608-249-7444  
  
Cathedral Builders, Inc., Jackson  
Jody Giacomini, 262-250-1985
- \* **Central Wisconsin Woodworking, Weston**  
Scott Fletcher, 715-675-4491  
  
ConceptWorks, Elkhart Lake  
Andy Cleven, 920-565-3099  
  
County Line Design LLC, Sun Prairie  
Paul Novotny, 608-772-1409
- \* **Discher Architectural Millwork, Oshkosh**  
Bruce Discher, 920-235-6500  
  
Elipton Wood Products, Little Chute  
Joe Hanson, 920-788-9322  
  
Glenn Rieder, LLC, West Allis  
Jackie Fessenbecker, 414-449-2888  
  
Grommes Millwork Inc., Beloit  
Douglas Clark, 608-362-8928  
  
Hillcraft of Wisconsin, LLC, Madison  
Eric Ostmo, 608-221-3220
- \* **Joseph A. Interiors, De Pere**  
Thomas DeLeers, 920-347-5850
- \* **Lange Bros. Woodwork Co, Inc., Milwaukee**  
Randy Lange, 414-466-2226
- \* **Midwest Millwork & Casework dba Creative Laminates**  
Joe Neitzel, 608-783-5575
- \* **Nature-Tech, LLC, Milwaukee**  
Jay Hollingsworth, 414-745-5949
- \* **O'Keefe Incorporated, River Falls**  
Brian Troska, 715-425-8981
- \* **Oshkosh Door Company, Oshkosh**  
Merle Visser, 920-233-6161  
  
RJ Wood Industries Inc., Jackson  
Mike Werner, 262-613-2798  
  
Stuck Wood Works Inc., Milwaukee  
Jeff Stück, 414-351-5595

## INDEX TO ADVERTISERS

2020 .....	2
Biesse .....	52
Birchland .....	7
Brooklyn Hardware .....	14
CCF .....	6
Chemcraft .....	6
Cooper .....	6
Daiek Woodworks .....	9
Eagle Mouldings .....	2
Federated Insurance .....	Inside Back Cover
Flexible Materials .....	14
Gemini .....	14
Häfele .....	8
Heartland Stairs .....	Back Cover
IMA Schelling .....	8
M. Bohlke Veneer .....	9
Milesi .....	4
Monarch Metal .....	7
Navy Island .....	Inside Front Cover
Precision Veneer .....	5
Quality Certification Program .....	15
Roseburg .....	8
Sherwin Williams .....	10
States Industries .....	7
Stiles Machinery .....	10
TradeSoft .....	1



TJ Hale Company, LLC, Menomonee Falls  
Michael Luck, 262-255-5555

Trimpac, LLC, Stratford  
Luke Moore, 715-384-4144

\* **Wisconsin Built, Inc., Deerfield**  
Dan Petersen, 877-928-4589

Wood Design Inc., Fort Atkinson  
Lee Moldenhauer, 920-563-4833

## Wyoming

\* **Pinnacle Cabinet & Millwork, Inc., Cheyenne**  
Gary Everett, 307-632-7497

## Bahrain

Havelock One Interiors WLL, Manama  
Jihad Raad, 973 1 783 2059

Kooheji Contractors, Manama  
A. Rahim Al Kooheji, 973 1 770 4037

## Canada – British Columbia

CN Architectural Millwork & Construction, Burnaby  
Chandra Nair, 604-299-8715

\* **Nikolai Manufacturing Inc., New Westminster**  
Robert Roe, 604-525-8495

Peregrine, Burnaby  
Brian French, 604-251-3174

\* **Towne Millwork Ltd., Abbotsford**  
Tyler Heskett, 604-850-7738

## Canada – Manitoba

RJ Millwork Co Ltd, Winnipeg  
David Hudon, 204-895-8962

## Canada – Nova Scotia

\* **Nova Wood Products Ltd., Lunenburg**  
Scott McVittie, 902-634-4120

## Canada – Ontario

\* **CIF Lab Solutions LP, Vaughan**  
Gustavo Grynszpan, 905-738-5821

Concept Millwork Corporation, London  
Sandy McTavish, 519-668-6154

Doorland 2000, Woodbridge  
Sergio Granzotto, 905-850-5190

\* **Mirmil Products, Trenton**  
Travis Walker, 613-394-1022

Provincial Store Fixtures Ltd., Mississauga  
Edward Joubran, 905-564-6700

## Canada – Quebec

\* **Beaubois Group Inc., Saint-Georges**  
Francois Lacombe, 418-228-5104

Classic Woodwork Inc., Sainte-Therese  
Maxime Deraspe, 450-437-3327

\* **Lambton Doors, Lambton**  
Alexandra Jacques, 418-486-7401

Polybois, Inc., Thetford Mines  
Luc McCutcheon, 418-338-4638

Que-Wood Mouldings, St-Jerome  
Daniel Warnet, 450-430-0825

## Hong Kong

\* **Dongguan Sundart Home Furnishing Co., Hong Kong**  
Richard Boo, +852 8 676 9912

## Jordan

Specialized Wood Establishment Ltd., Amman  
KHALID AIQARAMSEH, +962 96264129119

## Mexico

DMX Shopfitting & Display, S.A. DE C.V., Iztapalapa  
Carlos Westerman, +52 5255511

## Qatar

Almuftah Carpentry, Doha  
Tarek Shehab, +974 97444181862

Ismail Bin Ali (IBA) IBA Interiors, Doha  
Hassan Ismail Alemadi, +974 97444600511

National Furniture and Decoration Factory,  
Doha  
Brenda Basila, +974 97444503340

## Saudi Arabia

Al'Aalami Factory for Furniture & Wooden Ind., Riyadh  
Faisal Kanaan, +966 55 786 5402

AL KUHAIMI WOOD INDUSTRIES, Riyadh  
Naser Ababneh, +966 50 936 2636

Arabian Wood Work Co., Ltd, Jeddah  
Basel Abukhadra, +966 966 12 620 0333

Binladin Woodwork Factory Co. Ltd., Jeddah  
Zafer Karaman, +966 12 620 0163

INEX - Int'l. Expertise for Wood Industries Ltd., Jeddah  
Ridwan Hubaiti, +966 2 635 2213

Saudi Binladin Group Production Center, Jeddah  
Syed Abrar Ahmed, +966 2 225 0173

## South Korea

DONGWHA K-TEAM Co., Ltd, Seogu  
LEE JUNG HO, +82 107 637 0521

I-Des Interior & Furniture Inc, Seogu  
byung sam min, +82 032611

## Turkey

Kize Mobilya Imalat TasarÄm Urunleri Sanayi  
ve Ticaret A.S., Istanbul, Arnavutkoy  
Tolga Uludemirciler, +90 530 660 3349

\* **Nergiz Decoration Ltd. Co., Ankara, Akyurt**  
Kenan Nergiz, +90 312 398 1103

\* **Papirus Ahsap Dekorasyon, Istanbul, Eyup**  
Fisun Erman, +90 212 250 34 34

## United Arab Emirates

Abanos Furniture and Decoration Industry  
L.L.C., Dubai  
Ashraf Mansour, +971 4 899 6111

Advanced Industries Group, Dubai  
Imthiyas Chanath, +971 4 380 5844

Alpha Star Wood Joinery LLC, Dubai  
K Kumar, +971 4 340 0214

\* **Interiors International FZCO, Dubai**  
Siraj Noorani, +971 4 886 2627

Leader LLC, Dubai  
Shaban Alfaleet, +971 4 333 3331

Royal Joinery, Abu Dhabi  
Yashar Shaar, +971 2 551 4999





# AWI Supplier Members

Firms in **BOLD** with asterisk are **LICENSED** participants in the **AWI Quality Certification Program** as of the print date. Firms listed in **GOLD** are **sponsors** and/or **advertisers**.

## 2020 Technologies

514-332-4112 202ospaces.com

## 3form

800-726-0126 3-form.com

## A Quality Finish Inc.

703-335-2085 aqualityfinish.com

## A2 Zdraft.com Millwork Shop Drawings

855-999-0062 zdraft.com

## Accuride International

562-372-6978 accuride.com

## Adservco Group

481-148-1312 adservco.com

## AdvancedDimensions.com (Dirig Design)

607-988-4040 advanceddimensions.com

## Aljoe Woodwork Consultants

917-520-1100

## Alliance Millsoft

800-721-2189 alliancemillsoft.com

## Almsned Trading

9745-587-6905 almsnedtrading.com

## American Laminates, Inc

209-869-2536 americanlaminates.com

## American Systems & Installations

484-553-5321 asiinstall.com

## Architectural Finishing Solution

714-630-4030 afinishing.com

## Architectural Fixtures, Inc.

847-562-9944

## Architectural Panel Products

561-265-0707 appi.us

## Architectural Woodwork Services

765-647-3567 awswood.com

## Archmaya Inc

248-981-7495 archmaya.com

## ARK Woodwork Inc.

561-809-7957 arkwoodwork.com

## Art for Everyday, Inc.

416-645-5120 artforeveryday.com

## Art Magic Carpentry

204-912-0002 artmagic.on.ca

## Association of Woodworking and Furnishings Suppliers (AWFS)

323-215-0317 awfs.org

## Atlantic Plywood Corporation

781-897-4939 atlanticplywood.com

## Axalta Coatings Systems

615-866-7887 axaltacoatingsystems.com

## Bath/Kitchen & Tile Supply Co.

302-992-9220 bathkitchenandtile.com

## Biesse America, Inc.

704-357-3131 biesseamerica.com

## Birchland Plywood Veneer Ltd

705-842-2430 birchlandplywood.com

## Blacks Outsourcing, Inc.

262-895-4015 blacksoutsourcing.com

## Blum Inc.

704-827-1345 blum.com

## Boyce Highlands Inc.

603-753-1042 BoyceHighlands.com

## Brooklyn Hardware Manufacturing

503-232-1171 panelclip.com

## Brookside Veneers, Ltd.

609-409-1311 veneers.com

## C T Finishing, Inc.

909-629-7402 ctfinishing.com

## Cambio Plywood Div. of The Pearwood Group

401-942-8400 cambioplywood.net

## Casewood, LLC

360-339-4872 casewood.net

## CCF Industries

800-581-3683 ccfdrawers.com

## Chabros International Group FZCO

9714-880-7078 chabros.com

## Charles F. Shiels & Company

513-241-0239 shielslumber.com

## Chemcraft

336-841-5111 chemcraft.com

## Cienapps Smart Woodworking

450-323-1003 cienapps.com

## Columbia Forest Products Inc.

503-224-5300 columbiaforestproducts.com

## Convergence Carpentry

703-253-3574

## Cord Contracting

516-626-8829 cordco.com

## Cornerstone Interior Woodworking

260-357-0754 cornerstoneinteriorwood.com

## Craftsmanship Installations, Inc.

919-286-3000 craftsmanshipinstallations.com

## Cre8tive Technology & Design

858-457-2786 ctnd.com

## Crown Veneer Corp.

610-869-8771 crownveneer.com

## Custom Caseworks

320-259-5190 customcaseworks.com

## Custom Crafted Door

309-527-5075

## Custom Plywood Inc.

812-944-7300

## CWP Architectural

514-846-8883 cwparchitectural.com

## Diamond Vogel, Industrial Wood Coatings

920-467-7850 diamondvogel.com

## Dimension Plywood, Inc.

812-944-6491 dimensionhardwoods.com

## \* Diversified Educational Systems

540-687-7060 des.com

## Diversified Wood Products

812-284-9775 diversifiedwp.com

## Dixie Plywood & Lumber Companies

912-447-7090 dixieply.com

## DLI Incorporated

561-586-1118 dliincorporated.com

## Dooge Veneers, Inc

616-698-6450 doogeveneers.com

## Dovetail Recruiting

303-328-7790

## Drafting Solutions Inc.

513-745-9732 draftingsolutionsinc.com

## Drawer Connection, Inc

480-917-4887 drawerconnection.com

## Duratherm Window Corporation

207-872-5558 durathermwindow.com

## E.B. Bradley Co

323-585-9201 ebb Bradley.com

## Eagle Mouldings

763-493-2995 eagle-aluminum.com

## Egger Wood Products LLC

336-843-7012

## Elkwood Installation Services

717-354-6618 elkwoodconstruction.com

## Etemplate Systems

919-676-2244 etemplatesystem.com

## ETR Woodwork Installation, Inc.

561-674-3663

## Federated Insurance

800-533-0472 federatedinsurance.com

## Felder Gruppe

302-322-7732 felderusa.com

## Festool USA

888-337-8600 festoolusa.com

## Fixture-Pro, Inc.

707-545-3901 fixture-pro.com

## Flex Trim by Carter Millwork

800-861-0734 flextrim.com

## Flexible Materials, Inc.

812-280-7000 flexwood.com

## Florida Stairworks & Carpentry LLC

239-489-1177 flordastair.com

## FormWood Industries, Inc.

812-284-3676 formwood.com

## Fry Reglet

626-676-7114 fryreglet.com

## Fulterer USA

336-431-4646 fultererusa.com

## Gemini Industries, Inc.

405-262-5710 gemini-coatings.com

## GL Veneer

323-582-5203 glveneer.com

## Gleeson Construction Inc.

440-247-8775 gleesonconstruction.com

## Global Millwork Services

732-781-5270 globalmillworks.com

## GoKeyless

937-247-9327 gokeyless.com

## Graham Division of ASSA ABLOY, Inc.

417-616-8237 grahamdoors.com

## Grass America Inc.

336-996-4041 grassusa.com

## Greenline Industries Inc.

843-846-4648 greenlineforest.com

## Gulf Trade Link FZCO

55-566-9533 FIREBAN.NET

## \* H.J. Martin and Son

920-544-4232 hjmartin.com

## Häfele America Co.

336-434-2322 hafele.com/us

## Haley Brothers, Inc.

714-670-2112 haleybros.com

## Hardline Corporation

231-276-0170 hardlinecorp.com

## Hardware Resources

972-386-8429 hardwareresources.com

## Hargrave Builders, Inc.

847-742-7828 hargravebuilders.com

## Healy Drafting

620-404-8243 healydrafting.com

## Heidler Hardwood Lumber Co.

773-847-7444 heidlerhardwood.com

## Heitink Plywood Technologies, Inc.

812-336-6436 heitink.us

## Herzog Veneers, Inc.

336-434-4053 veneeronline.com

## Hettich America L.P.

800-777-1772 hettich.com

## Höcker North America

616-881-3328 hockeramerica.com

## Holden & Flynn Universal Contr. Inc.

917-256-0329

**IMA Schelling Group USA**

919-544-0430 imaschelling.us

**Indiana Architectural Plywood**

317-878-4822 iaplywood.com

**INNERGY**

320-267-4025 innergy.com

**Intermountain Wood Products**

801-486-5414 intermountainwood.com

**Interwood Forest Products, Inc.**

502-633-0017 ifpvener.com

**\* ISEC Inc.**

303-790-1444 isecinc.com

**Italo Cantu Group, LLC**

305-766-6419

**JC Wood Installations**

305-335-8622 jcwoodservices.com

**JD James, Inc.**

850-997-8585 jdjamescorp.com

**Jim Mammina Consulting, Inc.**

360-999-8785 jmconsult.us

**K. Alger Woodworking**

401-228-5254 kalgerwoodworking.com

**Kambium, Inc.**

952-469-2400 kambium.com

**KegWorks**

716-362-9212 kegworks.com

**Kerfkore Company**

912-264-6496 kerfkore.com

**Kinon Surface Design, Inc.**

561-600-2500 kinon.com

**Klingspor Abrasives, Inc.**

828-322-3030

**\* Latta Construction-Texas, LLC**

214-596-1744 lattaconstruction.com

**Lenmar Manufactured by Benjamin Moore & Co.**

800-225-5554 lenmar-coatings.com

**Leuco Tool Corporation**

770-459-5784 leucotool.com

**Lewis Lumber Products, Inc.**

570-584-4460 lewislp.com

**Lockdowel, Inc.**

650-477-7112 lockdowel.com

**Lynden Door, Inc.**

360-354-5676 lyndendoor.com

**M. Bohlke Veneer Corporation**

513-874-4400 mbvener.com

**M.L. Campbell Company**

216-515-7784 mlcampbell.com

**Materials Inc.**

201-968-0101 materialsinonline.com

**Merrill Lynch**

719-630-6060

**Metrie**

623-326-0121 metrie.com

**Microvellum Software**

541-664-1625 microvellum.com

**Milesi Wood Coatings**

224-434-7990 milesi.us

**MOCORP Inc. Custom Metal Fabrication**

763-441-9978 mocorpinc.net

**Monarch Metal Fabrication Inc.**

631-563-8967 monarchmetal.com

**Nationwide Fixture Installations, Inc.**

763-540-0351 nfi-usa.com

**Navy Island, Inc.**

651-451-4454 navyisland.com

**Newman Lumber Co**

228-832-1899 newmanlumber.com

**\* Newtech Installation USA Inc.**

860-344-1261 newtechinstallation.com

**Nightingale Architectural Doors**

972-875-1134 nightingaledoors.com

**Noreaster Installations Inc.**

860-376-0555 noreaster-installations.com

**\* Northeast Interior Systems, Inc.**

401-721-5600 neis.cc

**\* Northway Industries**

570-837-1564 northwayind.com

**NPF Consultants**

410-480-9757 crowsnestsoftware.com

**Numatic Finishing Corporation**

253-939-2391

**Oakwood Veneer Company**

248-720-0288 oakwoodvener.com

**OE Custom**

410-844-4684 oecustom.com

**OHC**

251-330-7716 ohc.net

**Ohio Valley Door Corporation**

812-945-5285 ohiovalleydoor.com

**Olympus Lock Inc.**

206-362-3290 olympus-lock.com

**Orange Aluminum**

877-464-2181 orangealuminum.com

**Oregon Door Company**

541-679-6791 oregondoor.com

**Osborne Wood Products Inc.**

706-886-1065 osbornewood.com

**Pacific Architectural Wood Products Inc.**

503-284-0024

**Paragon Enterprises, Inc.**

865-212-4170 millworkcadcam.com

**Patrick Industries, Inc.**

574-294-7511 patrickind.com

**Pennsylvania Lumbermens Mutual Insurance Co.**

800-752-1895 plmins.com

**People Logic Software Corp.**

250-475-1392 peoplelogicsoftware.com

**Ply-Tech Corporation**

270-678-2941 plytechcorp.com

**PLYWOOD EXPRESS**

954-956-7576 plywoodexpress.com

**Pollmeier, Inc.**

503-349-5807 pollmeier.com

**Precision Veneer Products**

519-758-0960 precisionvener.com

**Pro-Ply Custom Plywood Inc.**

905-564-2327 proply.com

**Renaissance Specialty Veneer Products**

812-375-1178 rsvpveneer.com

**Resource Engineering, Inc.**

352-332-0767 resourceengineering.com

**Rex Lumber Company**

978-263-0055 rexlumber.com

**Richelieu America Limited**

716-893-9663

**Richwood Industries, Inc.**

616-243-2700 richwoodind.com

**Rockwood Door & Millwork**

330-893-2392 rockwooddoor.com

**Roseburg**

541-679-3311 roseburg.com

**Roy Metal Products**

418-259-2711 roymetalinc.com

**RSA Solutions**

866-930-0772 rogershaw.com

**Rudd Company Inc.**

800-444-7833 ruddcompany.com

**\* SJ Morse Company**

304-856-3423 sjmorse.com

**Salice America, Inc.**

704-841-7810 saliceamerica.com

**Saunders Wood Specialties**

715-762-3916 saunderswood.com

**SCM Group North America**

770-813-8818 scmgroup-usa.com

**SD Verret Company**

804-794-2001 sd-verret.com

**Select Door**

800-535-9335 selectcustomdoor.com

**Sherwin Williams Company**

216-566-1688 oem.sherwin-williams.com

**\* Sieling & Jones Inc.**

717-235-7931 sielingandjones.com

**Somerset Door & Column**

814-444-9427 doorandcolumn.com

**Southern Premier Millwork LLC**

727-359-9157 southernpremiermillwork.com

**SR Wood, Inc.**

812-288-9200 srwoodinc.com

**Star Hanger Systems**

803-730-4463 starhanger.com

**Star Moulding & Trim Company**

708-458-1040 starmoulding.com

**Starlite Building Services Inc.**

617-622-7000 starlitebuildingservices.com

**States Industries Llc.**

541-688-7871 statesind.com

**Stiles Machinery, Inc.**

616-698-7500 stilesmachinery.com

**Superfici America, Inc.**

704-875-8751 superficiamerica.com

**Sweetwater Lumber & Land Co., Inc.**

770-941-4932 sweetwaterlumber.com

**Talbert Architectural Panels & Doors, Inc.**

714-671-9700 talbertusa.com

**The Wood Gallery Inc.**

972-869-9161 woodgallery.biz

**Timber Products Company**

541-747-4577 timberproducts.com

**TNS Specialty Products LLC**

201-522-6466

**TraceWorks LLC**

313-995-8104 traceworksllc.com

**Tradesoft, Inc.**

770-579-9096 tradesoftinc.com

**Upstate Door, Inc.**

585-786-3880 upstatedoor.com

**VELOCITY - The Drafting Pros**

312-758-5678 velocitydrafting.com

**Veneer One**

516-536-6480

**Veneer Technologies, Inc.**

252-223-5600 veneertech.com

**Vicwood Group**

5126-539-3117 acfairbankconsulting.ca/vicwood

**WEINIG/HOLZ-HER**

704-799-0100 weinigusa.com

**Wilsonart**

800-433-3222 wilsonart.com

**Woodtech Trading Company**

406-892-5140 woodtechdoor.com



# Protecting Your American Dream

Face to face,  
eye to eye, delivering  
innovative risk  
management solutions  
for your industry.



Scan to read our  
latest HR Question  
of the Month article.



**HR QUESTION ?**  
of the month

Commercial Insurance | Property & Casualty | Life & Disability Income | Workers Compensation | Business Succession and Estate Planning | Bonding  
Federated Mutual Insurance Company and its subsidiaries\* | federatedinsurance.com | Ward's 50® Top Performer | A.M. Best® A+ (Superior) Rating

20.04 Ed. 12/19 \*Not licensed in all states. © 2019 Federated Mutual Insurance Company

آموزشگاه انعکاس منبع جدیدترین اطلاعات، مقالات و دوره‌های آموزشی دکوراسیون داخلی

 Enekas.Academy

 Enekas.Academy





# CUSTOM STAIRCASES *for* EXTRAORDINARY SPACES

Our stairways are as unique as the homes and businesses they reside inside, and are carefully built by Amish craftsmen. You dream it, we'll build it.

At Heartland Stairways, we pride ourselves on the ability to make any project a reality.

In-house iron and woodworking | Comfortable tackling complex projects | Design consulting and experience

The ability to work with glass and other materials | Nationwide turnkey service | Award-winning stair designs

**Heartland**  
STAIRWAYS inc.

[HeartlandStairways.com](http://HeartlandStairways.com)

آموزشگاه انعکاس منبع جدیدترین اطلاعات، مقالات و دوره‌های آموزشی دکوراسیون داخلی

 [Enekas.Academy](http://Enekas.Academy)

 [Enekas.Academy](https://www.instagram.com/Enekas.Academy)

